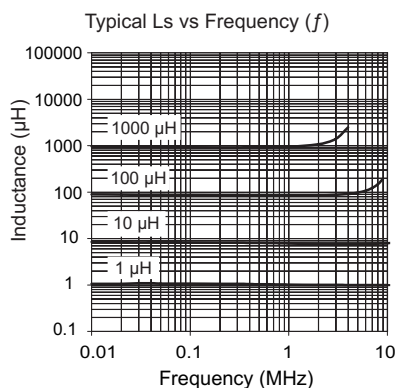
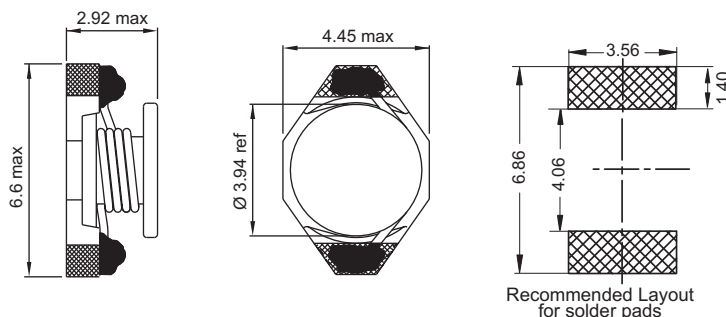




PISG



With Leadfree Tinned Terminal



Part No	Inductance	f _L	Tol	SRF	DCR	Rated DC Current (A)	
	L (µH)	(MHz)	± (%)	typ (MHz)	max (Ω)	I _{sat}	I _{ΔT = 30°C}
PISG-1R0M-01	1.0	0.1	20	130	0.05	2.9	2.9
PISG-1R5M-01	1.5	0.1	20	115	0.06	2.6	2.8
PISG-2R2M-01	2.2	0.1	20	90	0.07	2.3	2.4
PISG-3R3M-01	3.3	0.1	20	70	0.08	2.0	2.0
PISG-4R7M-01	4.7	0.1	20	50	0.09	1.5	1.5
PISG-6R8M-01	6.8	0.1	20	45	0.13	1.2	1.4
PISG-100M-01	10	0.1	20	35	0.16	1.1	1.2
PISG-150M-01	15	0.1	20	30	0.23	0.9	1.1
PISG-220M-01	22	0.1	20	20	0.37	0.7	0.8
PISG-270M-01	27	0.1	20	15	0.51	0.65	0.7
PISG-330M-01	33	0.1	20	15	0.51	0.58	0.6
PISG-470M-01	47	0.1	20	14	0.64	0.50	0.5
PISG-560M-01	56	0.1	20	11	0.86	0.40	0.4
PISG-680M-01	68	0.1	20	11	0.86	0.40	0.4
PISG-101M-01	100	0.1	20	9	1.00	0.40	0.3
PISG-151M-01	150	0.1	20	6	2.00	0.27	0.25
PISG-221M-01	220	0.1	20	5.5	3.11	0.22	0.20
PISG-331M-01	330	0.1	20	5	3.80	0.18	0.16
PISG-471M-01	470	0.1	20	4	5.06	0.16	0.15
PISG-561M-01	560	0.1	20	3	9.00	0.15	0.15
PISG-681M-01	680	0.1	20	3	9.20	0.14	0.12
PISG-102M-01	1000	0.1	20	2	13.8	0.10	0.07

Material : Ferrite, Ceramic base

Revision date : 02 Apr 2015

SPQ : Taped / Reel 750 [-01]

Remarks : - I_{sat} & I_{ΔT}- see description in inductors Technical Data.
 - Welding secured by epoxy dot.