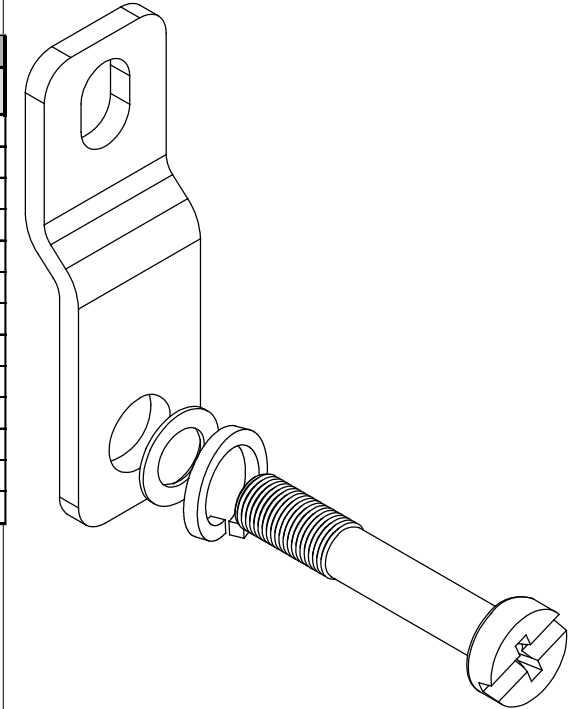


APPLICABLE FOR

| Raychem Part No. | External Dimensions (mm) | | |
|------------------|--------------------------|-------|--------|
| | Length | Width | Height |
| GRJ03 | 122 | 120 | 90 |
| GRJ07 | 160 | 160 | 90 |
| GRJ11 | 220 | 120 | 90 |
| GRJ12 | 255 | 250 | 120 |
| GRJ13 | 260 | 160 | 90 |
| GRJ14 | 360 | 160 | 90 |
| GRJ15 | 400 | 250 | 120 |
| GRJ16 | 400 | 405 | 120 |
| GRJ17 | 255 | 250 | 160 |
| GRJ18 | 400 | 250 | 160 |
| GRJ19 | 400 | 405 | 201 |
| GRJ20 | 600 | 250 | 121 |
| GRJ21 | 600 | 250 | 161 |



External Bracket - 1Set

| | | | | |
|----------|--------------------------|-------------|-----|------------|
| 4 | M6 SPRING WASHER | EB-M6-SW-04 | 1 | MAE0020155 |
| 3 | M6 WASHER | EB-M6-W-03 | 1 | MAE0020157 |
| 2 | EXTERNAL BRACKET-M6 BOLT | EB-M6-B-02 | 1 | MAA0020061 |
| 1 | EXTERNAL BRACKET-BRACKET | EB-B-M6-01 | 1 | HAB0180002 |
| POS. NO. | PART NAME | DRAWING NO. | QTY | PCN |

BOM

| | | | | | | | |
|------------------------|-------------------------|--------------------------|------------------------------|--------------------|----------|-------|----------|
| 01 | 01 | BOM UPDATED, PCN ADDED | | | 05/02/20 | P.N. | PRAN |
| NO. | REV.NO. | DESCRIPTION | | | DATE | DRAWN | CHECKED |
| QUANTITY | MATERIAL :- | MACH.NAME | | DATE | SIGN | NAME | |
| - | S.S.304 | - | | 05/12/14 | | RRPL | DESIGN |
| AREA IN M ² | CUTTING SIZE : | PRODUCT TITLE :- | | 05/12/14 | | MANOJ | DRAWN |
| | | JUNCTION BOX | | | | A.M. | CHECKED |
| | WEIGHT : | FINISH : | M6 EXTERNAL BRACKET ASSEMBLY | | | M.S. | APPROVED |
| | NATURAL | | | | | | |
| TOLERANCE | Raychem RPG (P) Limited | | SCALE | PARTNO. DAA4100424 | | | |
| ±0.1 | DIMENSIONS | Ceat Mahal Annexe, | | REV | | | |
| ±0.1 | HOLES | Dr. Annie Besant Road , | | 01 | | | |
| ±0.5° | ANGLES | Worli , Mumbai 400030 | | DRG. NO. | | | |
| | | Web : www.raychemrpg.com | | EMB-M6-00 | | | |