

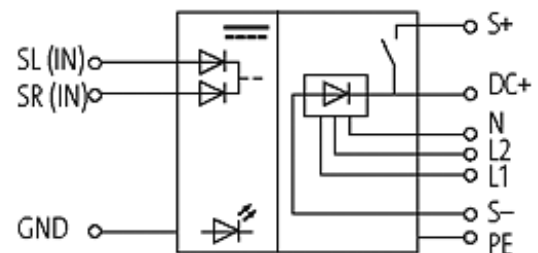
## ACTIVE BRAKE RECTIFIER V 0.2

IN: 24 VDC - OUT: 200 VDC / 0,75 A

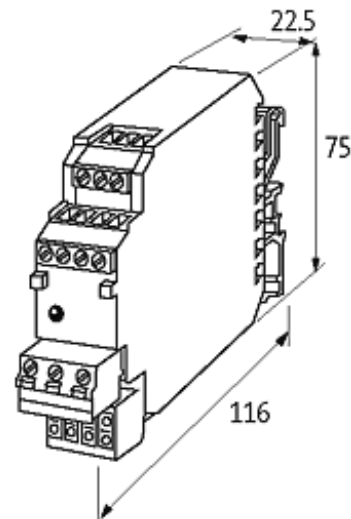
Control voltage: 24 V DC  
 OUTPUT: 180, 205, 215 V DC  
 Spring clamp terminals

### [Link to Product](#)

#### Illustration



stay connected



Product may differ from Image

### Approvals



### Input

Input voltage	L1-N (230 V AC); L1-L2 (400 V AC); L1-L2 (480 V AC)
Input current	max. 0.8 A
Control voltage	24 V DC
LED display	LED (green)
Invers-polarity protection	yes

### General data

Protection	IP20
Mounting method	DIN-rail mountable (EN 60715)
Connection	Spring clamp terminals
Temperature range	0...+55 °C (storage temperature -20...+60 °C), no condensation
Dimensions H × W × D	22.5×75×85 mm

### Output

Output voltage	205 V DC (230 V AC); 180 V DC (400 V AC); 215 V DC (480 V AC)
Output current	max. 0.75 A
Switching frequency	max. 2.5 Hz

### Commercial data

country of origin	CZ
customs tariff number	85044082
minimum order quantity	1