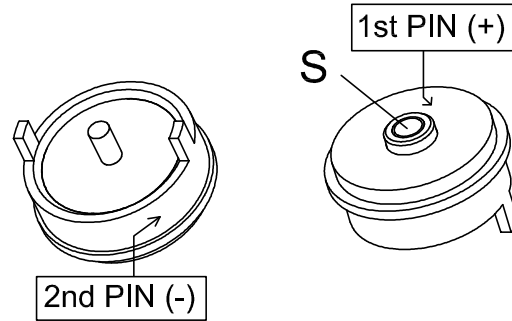
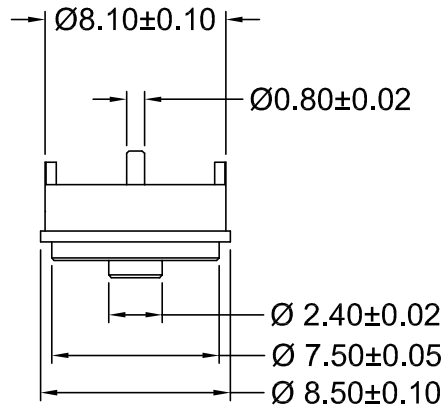


TOLERANCE UNLESS OTHERWISE SPECIFIED	
.X	±0.15
.XX	±0.10

THIS IS A C.A.D. GENERATED DRAWING
DO NOT MAKE MANUAL REVISIONS TO MASTER.

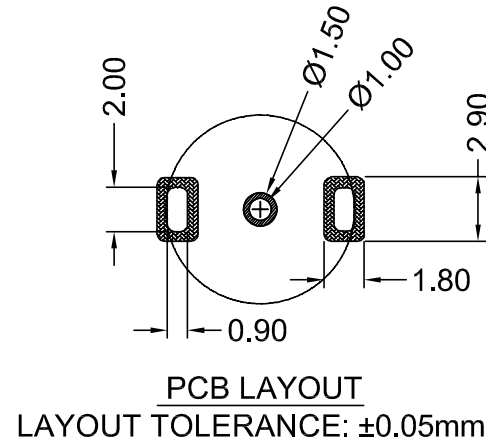
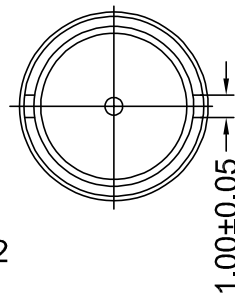
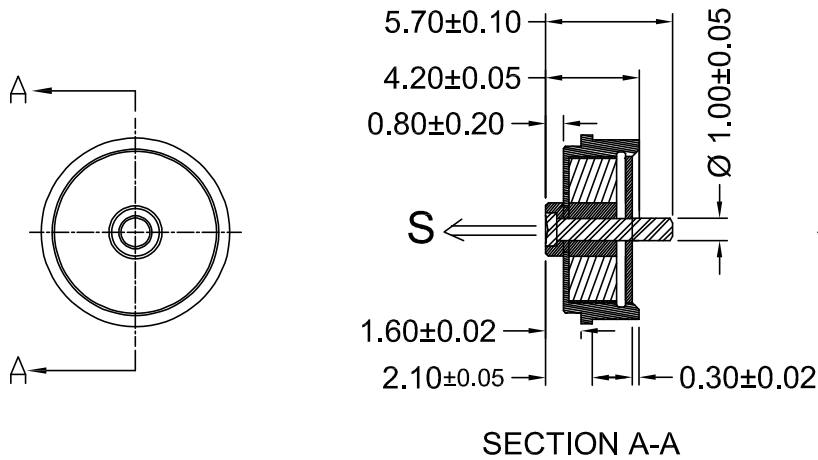


ISSUE NUMBER	
ORIGINAL	①



SPECIFICATION:

CONTACT: BRASS
 PLATING: Ni 50µ"-120µ", Au 3µ" MIN
 INSULATION: PA46 +30%GF
 MAGNET: N52 PULL 3-3.5N
 VOLTAGE RATING: 5V
 CURRENT RATING: 2A MAX
 WORKING TEMPERATURE RANGE: -30°C TO 85°C



THIS SERIES FULLY CONFORMS TO
THE EUROPEAN UNION DIRECTIVES
2011/65/EU FOR RoHS COMPLIANCY.



EDAC INC
TORONTO, ONTARIO
CANADA
YOUR CONNECTION TO QUALITY & SERVICE

THESE DRAWINGS AND SPECIFICATIONS
ARE THE PROPERTY OF EDAC INC., AND
SHALL NOT BE REPRODUCED, OR COPIED
OR USED AS THE BASIS FOR THE
MANUFACTURE OR SALE OF APPARATUS
WITHOUT WRITTEN PERMISSION.

POGO CONNECTOR, 2 POS, FEMALE		ACAD REFERENCE NO.:	686-00222201111	UNIT:	MM
		DRAWN:	E.S	DATE:	JUN.21/2022
CHECKED:	J.L.	DATE:	AUG.04/2022		
SCALE:	(IN C.A.D. 1:1)	SHEET	1 OF 1		
DRAWING NUMBER:	686-00222201111	ISSUE	1		
PART NUMBER:	686-00222201111				