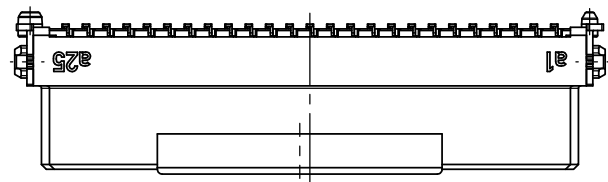
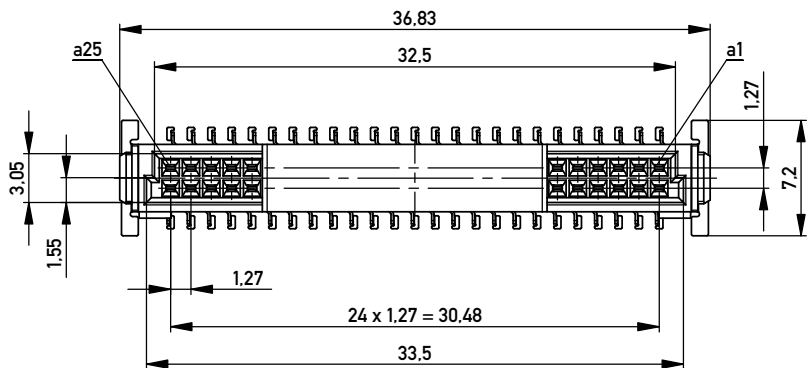
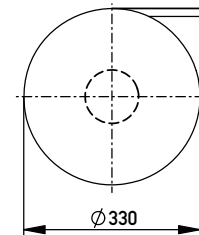
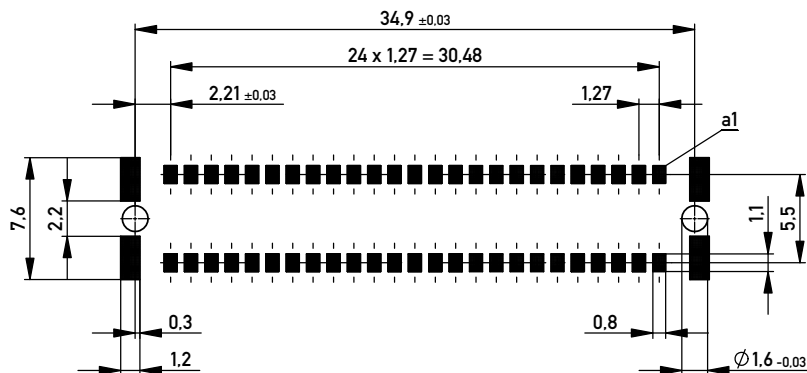


Verpackt im Gurt nach DIN IEC 60286-3
 Tape on Reel Packaging according to DIN IEC 60286-3
 Verpackungseinheit: 280 Stück
 Packaging unit: 280 pcs



Leiterplatten-Layout Vorschlag für SMT
 PCB-Layout Proposal for SMT



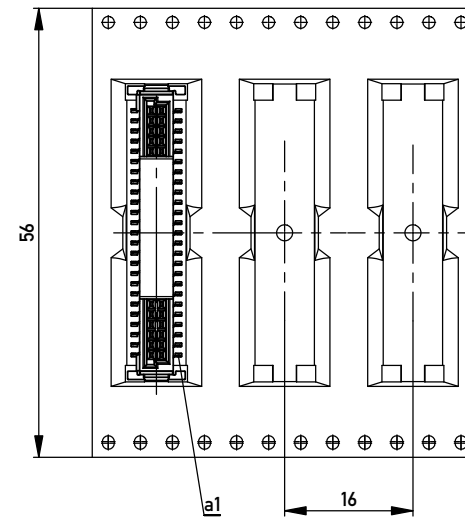
Anforderungsstufe 1
 Performance Level 1

Kontaktbereich vergoldet
 Mating Area gold plating

Anschlussbereich verzinkt 4-6 µm
 Terminal Area 4-6 µm tin plating

Koplanarität der Anschlüsse ≤ 0,1 mm
 Coplanarity Area of Termination ≤ 0,1 mm

Abspulrichtung - Reel off Direction



BA 7-03 - Standard Bauhöhe

type 7-03 - standard assembly height

Information:		Tolerances	All Dimensions in mm	Scale	3:1
All rights reserved. Only for Information. To ensure that this is the latest version of this drawing, please contact one of the ERNI companies before using.		Subject to modification without prior notice. Drawing will not be updated.		Designation	
		www.ERNI.com		Federl. SMC-B 50-SMD-BA7-03 Female SMC-B 50-SMD-type7-03	
f	09.12.2013			154719	I
Index	Date			Class	A3
				SMCB	

Copyright by ERNI GmbH. Proprietary notice pursuant to ISO 9006 to be observed.