

Self-Adhesive Bumper

8.0 mm x 2.20 mm black



FEATURES:

Durable & resilient

Sound dampening & vibration resistant

Non slip & non-marking

Vibration dampening

High performance adhesive systems

Quick & simple to apply

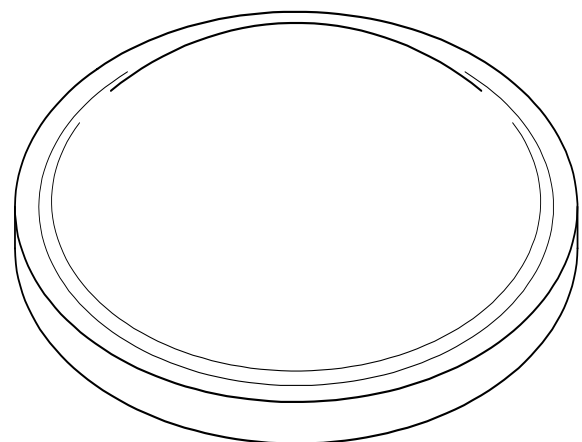
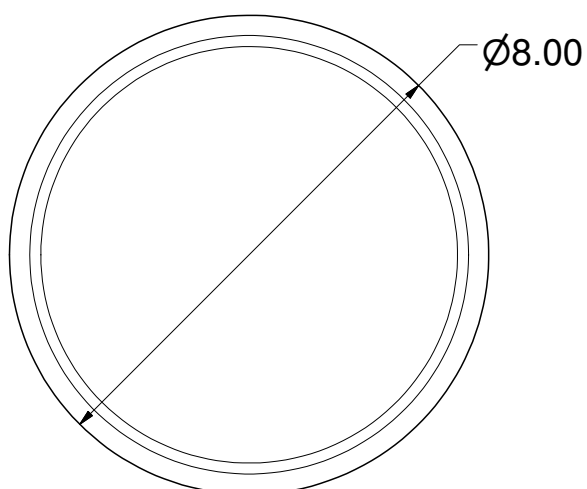
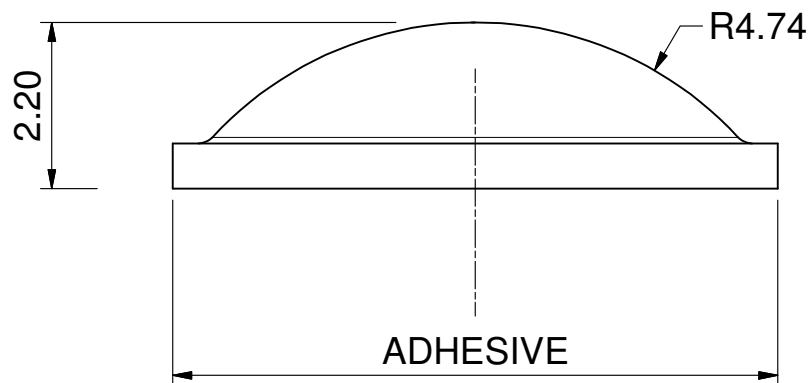


SPECIFICATION:

Hardness	65 Shore
Height	2.20 mm
Colour	black
Diameter	8.0 mm
Material	Polyurethane
Quantity	140

Art. Nr.

RND 455-00490



For more information and technical drawings, please contact us at info@distrelec.com.