



**Part no.: 50032396**  
**TFI 03 1101.120**  
**Transponder**



Figure can vary

## Contents

- Technical data
- Dimensioned drawings
- Notes
- Accessories

Part no.: 50032396 – TFI 03 1101.120 – Transponder

## Technical data

### Basic data

|                   |           |
|-------------------|-----------|
| Series            | TFI       |
| Suitable for      | RFI       |
| Chip              | EM4102    |
| Working frequency | 0.125 MHz |

### Electrical data

#### Performance data

|                   |            |
|-------------------|------------|
| Memory access     | Read only  |
| Memory size       | 8 B        |
| Memory block      | 1 Piece(s) |
| Memory block size | 1 B        |
| Storage time      | 100 ms     |

### Certifications

|                   |           |
|-------------------|-----------|
| Standards applied | ISO 15693 |
|-------------------|-----------|

### Mechanical data

|                   |                       |
|-------------------|-----------------------|
| Design            | Disc                  |
| Thickness         | 2.1 mm                |
| Outer diameter    | 30 mm                 |
| Inner diameter    | 3.2 mm                |
| Housing material  | Plastic               |
| Net weight        | 2.8 g                 |
| Type of fastening | Through-hole mounting |

### Environmental data

|                                |               |
|--------------------------------|---------------|
| Ambient temperature, operation | -20 ... 70 °C |
| Ambient temperature, storage   | -40 ... 90 °C |

### Certifications

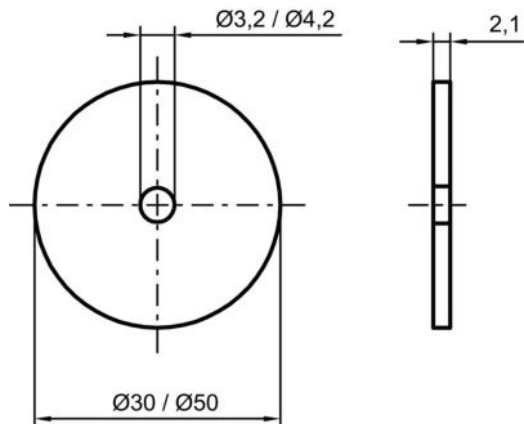
|                      |       |
|----------------------|-------|
| Degree of protection | IP 65 |
|----------------------|-------|

### Classification

|                       |          |
|-----------------------|----------|
| Customs tariff number | 85235200 |
| eCl@ss 8.0            | 27289290 |
| eCl@ss 9.0            | 27280402 |
| ETIM 5.0              | EC002996 |
| ETIM 6.0              | EC002996 |

## Dimensioned drawings

All dimensions in millimeters



## Notes


### Observe intended use!

- This product is not a safety sensor and is not intended as personnel protection.
- The product may only be put into operation by competent persons.
- Only use the product in accordance with its intended use.

- Under certain circumstances, metal in the reading field reduces the operating range considerably.

## Accessories

### Mounting technology - Other

|   | Part no. | Designation  | Article | Description  |
|---|----------|--------------|---------|--|
|  | 50107102 | Spacer 30 HT | Spacer  | Design, housing: Hollow cylinder<br>Inner diameter: 5 mm<br>Housing material: Plastic, PA 66 |

### Note

A list with all available accessories can be found on the Leuze electronic website in the Download tab of the article detailed page.