



Replacement
Blade
Available



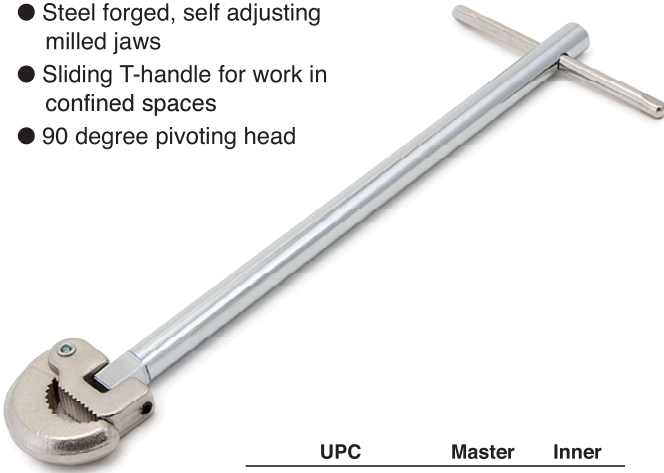
Ratcheting PVC Pipe Cutter

- Cuts rubber or PVC pipe
- Maximum diameter: 1-5/8" pipe
- Stainless steel blade
- Flip catch holds handles closed for safety
- Overall length: 9"

Part #	UPC	Master	Inner
15063	8-02090-15063-0	36	6
15067 Replacement Blade	8-02090-11484-7	100	10

12 in. Basin Wrench 11499

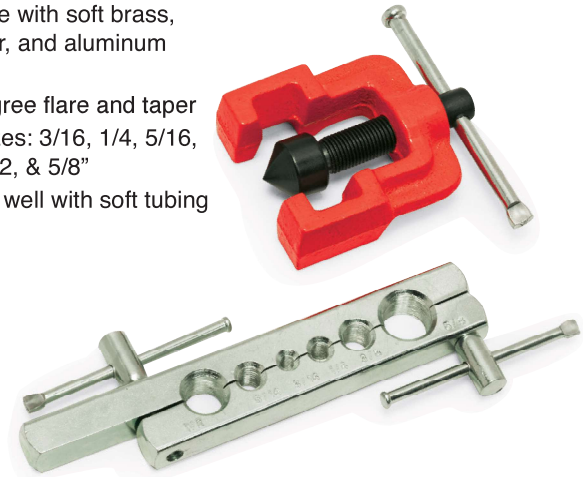
- Steel forged, self adjusting milled jaws
- Sliding T-handle for work in confined spaces
- 90 degree pivoting head



UPC	Master	Inner
8-02090-11499-1	40	20

Single Flare Tool 15062

- For use with soft brass, copper, and aluminum tubing
- 45 degree flare and taper
- Die sizes: 3/16, 1/4, 5/16, 3/8, 1/2, & 5/8"
- Works well with soft tubing



UPC	Master	Inner
8-02090-15062-3	24	6

Plumbers Brush 15064

- For 1/2" & 3/4" tubing I.D. and O.D.
- Make cleaning tubing and fittings prior to soldering easy and effective
- Ensures proper surface penetration and good solder joint



UPC	Master	Inner
8-02090-15064-7	96	12

Water Heater Socket 32948

- 1/2" Dr
- 6pts, 1-1/2" deep



UPC	Master	Inner
8-02090-32948-7	24	6