

# Keylock Switch

## Features

- Silver plated contacts and terminals
- Positive detent
- RoHS / REACH compliant
- Hex nut mounted
- 4 disc tumbler mechanism



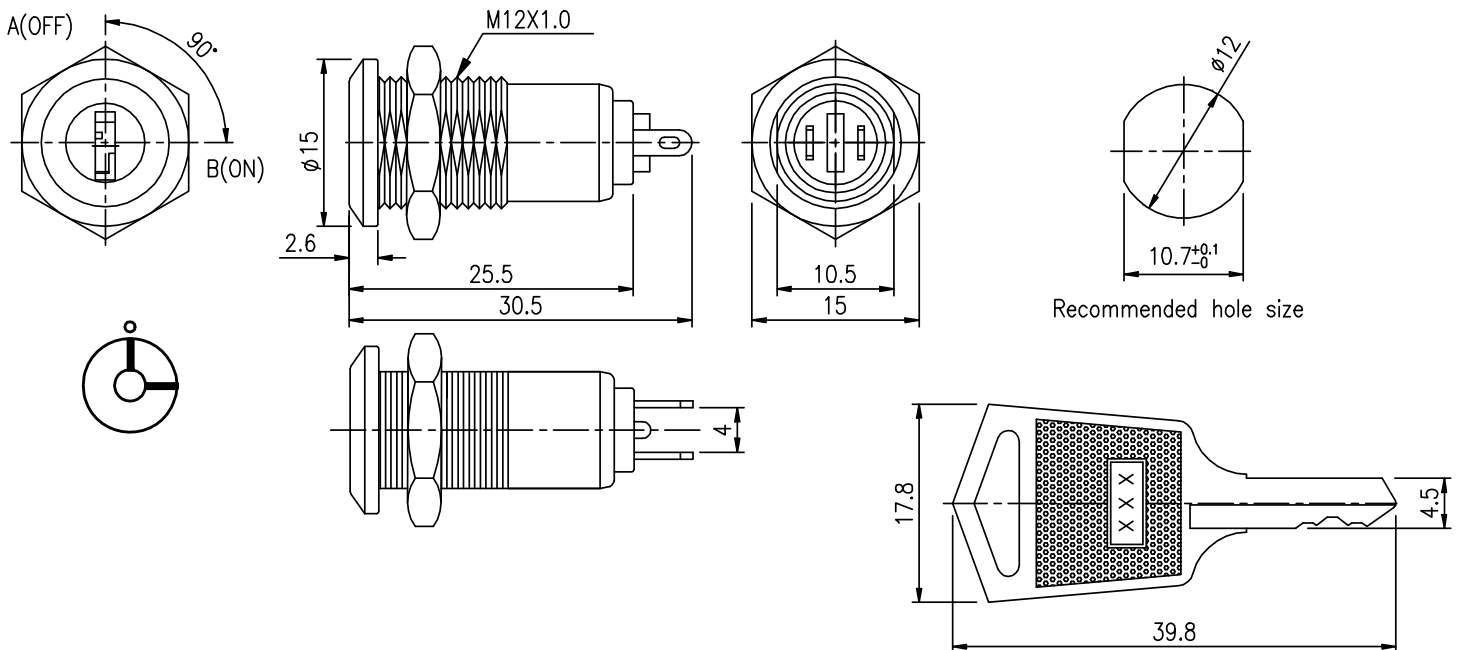
## Specification

Switching Configuration	1NO
Current Rating	200 mA
Contact Voltage	125 VAC
Number of Positions	2 Positions (OFF-ON)
Number of Terminals	2 Terminals
Number of Key-Pulls	2 Key Pulls
Contact Resistance	50 mOhm max.
Insulation Resistance	100 MOhm min. (500 VDC)
Dielectric Strength	800 VAC 1 min.
Life Test	6000 Cycles

## Material Specification

Housing and Cylinder	Die Cast Zinc Alloy, Plastic Cylinder
Keys	Brass, Nickel Plated
Terminals	Silver Plated
Contacts	Silver Plated

## Drawing



Art. Nr.  
RND 210-00802