

RoHS
Compliant



Features

- Surge overload rating from 300A to 450A
- Low forward voltage drop
- Mounting position: Any
- Electrically isolated base: 2,000V
- Solderable 0.25" FASTON terminals

Maximum Ratings and Electrical Characteristics:

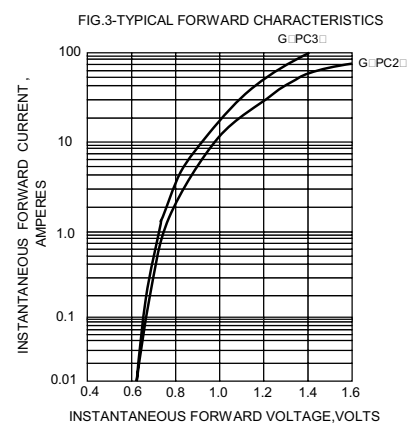
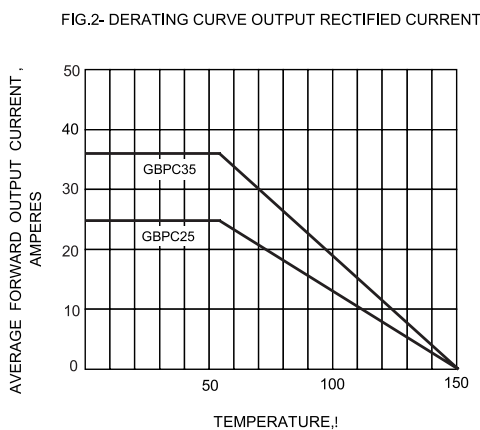
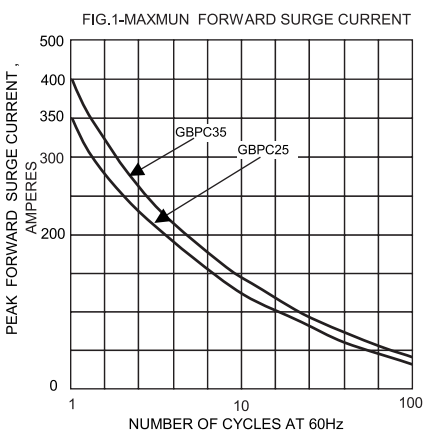
Rating at 25°C ambient temperature unless otherwise specified

Resistive or inductive load: 60Hz

For capacitive load, derate current by 20%

Characteristics	Symbol	GBPC2502	GBPC35005	GBPC3504	Units
Max. Repetitive Peak Reverse Voltage	V_{RRM}	200	50	400	V
Max. RMS Bridge Input Voltage	V_{RMS}	140	30	280	
Max. Average Forward Rectified Output Current @ $T_c = 55^\circ\text{C}$	$I_{(AV)}$	25	35		A
Peak Forward Surge Current 8.3ms Single Half Sine-Wave Super Imposed on Rated Load	I_{FSM}	400	450		
Max. Forward Voltage Drop Per Element at 5 / 7.5 / 12.5 / 17.5 / 25A Peak	V_F	1.1			V
Max. Reverse Current at Rated DC Blocking Voltage Per Element @ $T_A = 25^\circ\text{C}$	I_R	10			μA
Operating and Storage Temperature Range	T_J, T_{STG}	-50 to +150			$^\circ\text{C}$

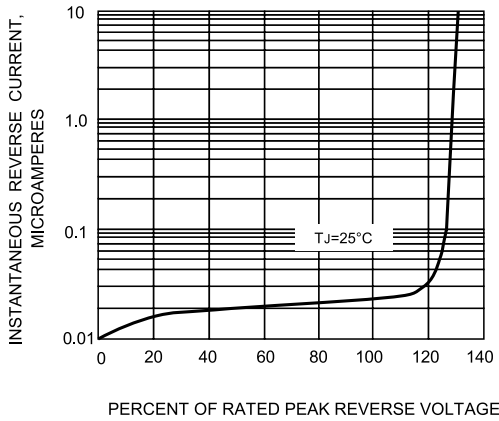
Ratings and Characteristic Curves



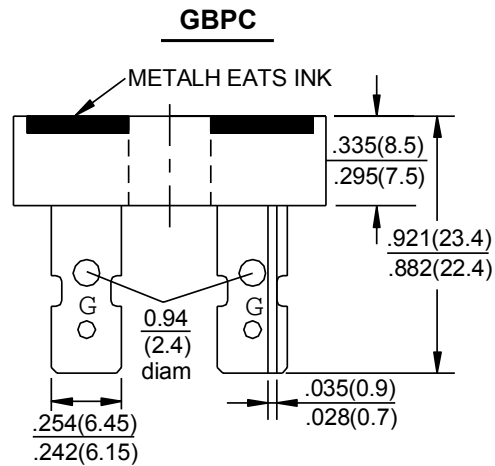
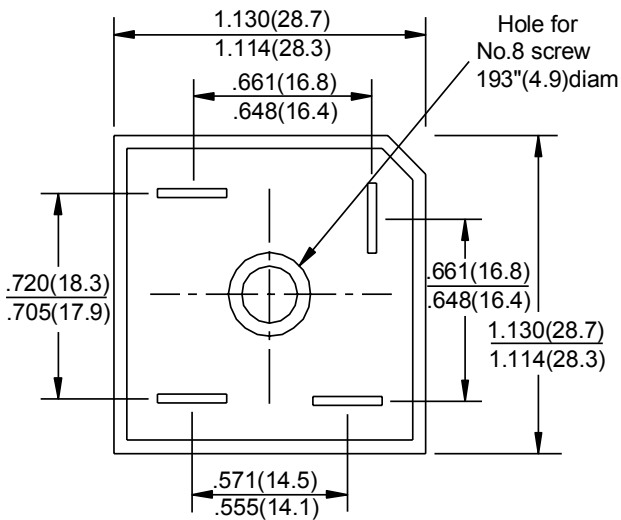
- Note:** 1. GBPC25 represents all these part numbers - GBPC2502
2. GBPC35 represents all these part numbers - GBPC35005 & GBPC3504

Newark.com/multicomp-pro
Farnell.com/multicomp-pro
Element14.com/multicomp-pro

FIG.4-TYPICAL REVERSE CHARACTERISTICS



Dimensions



Dimensions : Inches (Millimetres)

Part Number Table

Description	Part Number
Bridge Rectifier, 25A, 200V	GBPC2502
Bridge Rectifier, 35A, 50V	GBPC35005
Bridge Rectifier, 35A, 400V	GBPC3504

Important Notice : This data sheet and its contents (the "Information") belong to the members of the AVNET group of companies (the "Group") or are licensed to it. No licence is granted for the use of it other than for information purposes in connection with the products to which it relates. No licence of any intellectual property rights is granted. The Information is subject to change without notice and replaces all data sheets previously supplied. The Information supplied is believed to be accurate but the Group assumes no responsibility for its accuracy or completeness, any error in or omission from it or for any use made of it. Users of this data sheet should check for themselves the Information and the suitability of the products for their purpose and not make any assumptions based on information included or omitted. Liability for loss or damage resulting from any reliance on the Information or use of it (including liability resulting from negligence or where the Group was aware of the possibility of such loss or damage arising) is excluded. This will not operate to limit or restrict the Group's liability for death or personal injury resulting from its negligence. Multicomp Pro is the registered trademark of Premier Farnell Limited 2019.