



Sealable shroud

Part no.
Article no.

M22-PL-PV
216397

Catalog No.

M22-PL-PVQ



Powering Business Worldwide™

Delivery programme

Product range			RMQ-Titan (drilling dimensions 22.5 mm)
Basic function			Accessories
Basic function accessories			Sealable shroud
Single unit/Complete unit			Single unit
			For devices with mushroom diameter 38 mm transparent with collapse point, can be reused after Emergency-Stop, Emergency switching off operation. with grid 30 x 50 mm the drilling dimensions can be closed with M22(S)-B blanking plug
Connection to SmartWire-DT			no

Approvals

North America Certification

UL/CSA certification not required

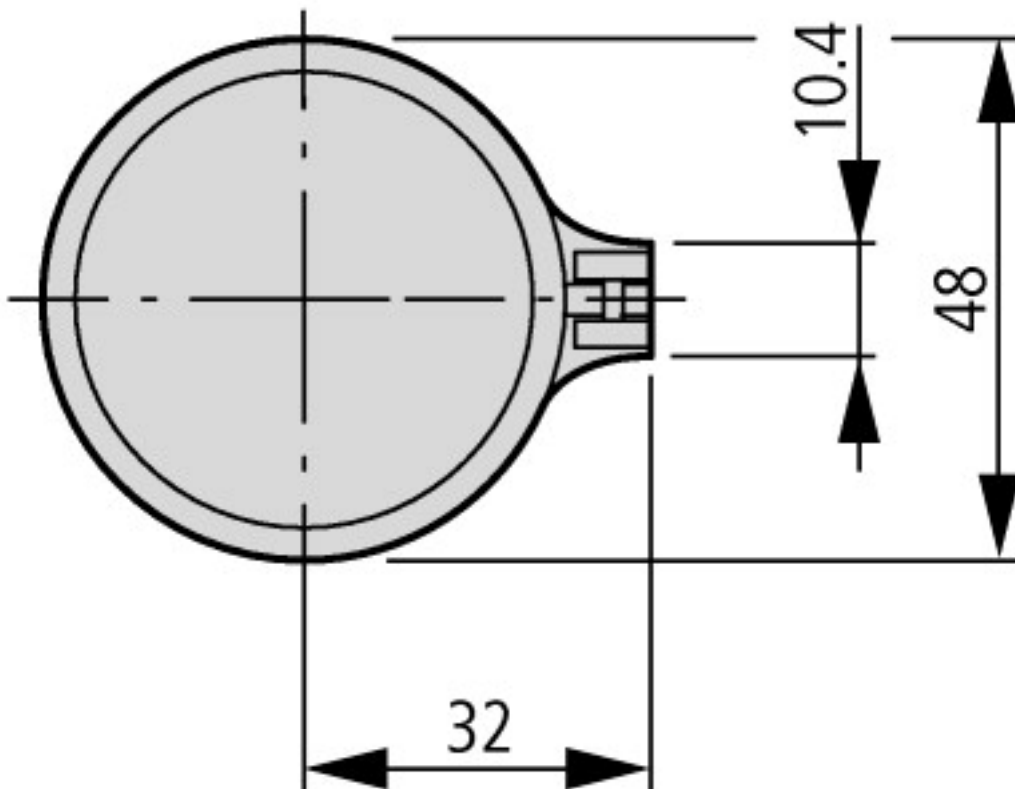
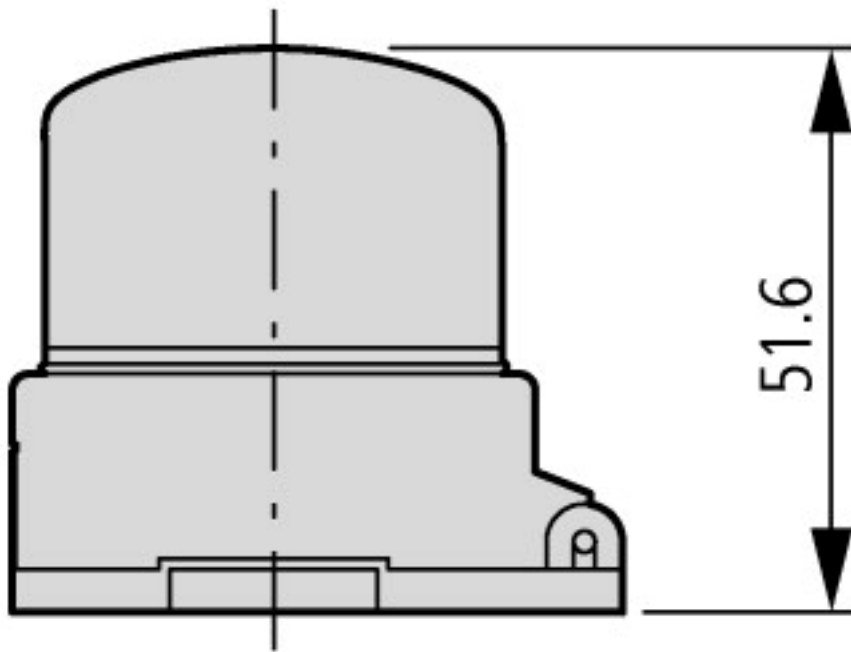
Technical data ETIM 5.0

Low-voltage industrial components (EG000017) / Protective cover for control circuit devices (EC002040)

Electric engineering, automation, process control engineering / Low-voltage switch technology / Low-voltage switch technology (accessories) / Protective cover for command devices (ecl@ss8-27-37-92-18 [AC0047007])

Colour			Transparent
Shape			Round

Dimensions



Additional product information (links)

IL04716002Z (AWA1160-1745) RMQ-Titan System

IL04716002Z (AWA1160-1745) RMQ-Titan System

ftp://ftp.moeller.net/DOCUMENTATION/AWA_INSTRUCTIONS/IL04716002Z2013_08.pdf