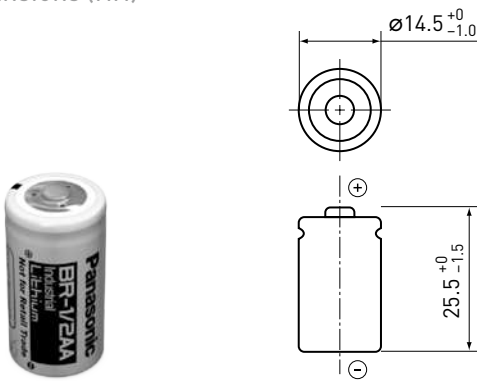


2 POLY-CARBONMONOFLUORIDE LITHIUM BATTERIES (BR SERIES)

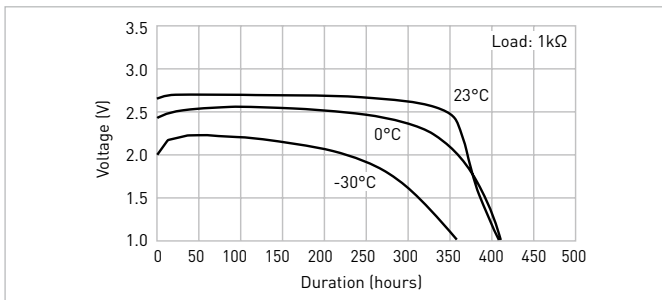
BR-1/2AA

DIMENSIONS (MM)

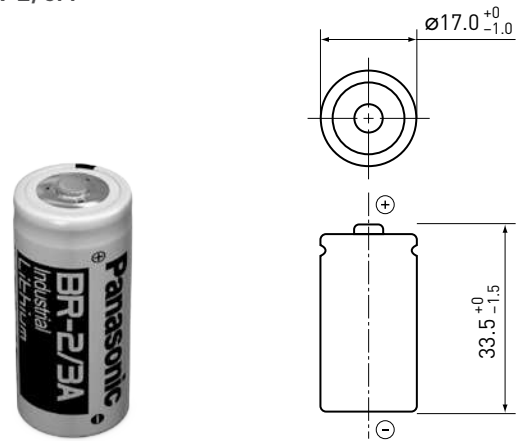


Model number	BR-1/2AA
Nominal voltage (V)	3
Nominal capacity (mAh)	1,000
Diameter (mm)	14.5
Total height (mm)	25.5
Discharging temperature range (°C)	-40 to +100
Weight (g)	8.0

DISCHARGE TEMPERATURE CHARACTERISTICS

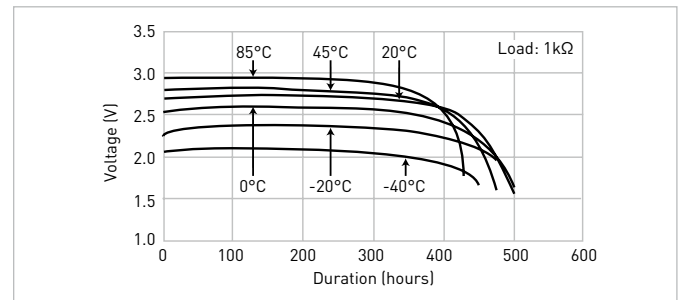


BR-2/3A

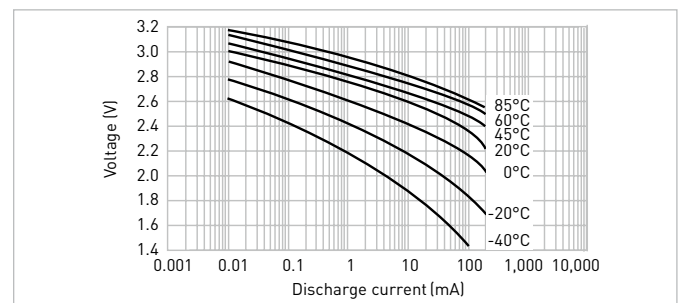


Model number	BR-2/3A
Nominal voltage (V)	3
Nominal capacity (mAh)	1,200
Diameter (mm)	17.0
Total height (mm)	33.5
Discharging temperature range (°C)	-40 to +85
Weight (g)	13.5

DISCHARGE TEMPERATURE CHARACTERISTICS



OPERATING VOLTAGE VS. DISCHARGE CURRENT*1



The data in this document are for descriptive purposes only and are not intended to make or imply any guarantee or warranty.

*1 Voltage at 50% discharge depth.