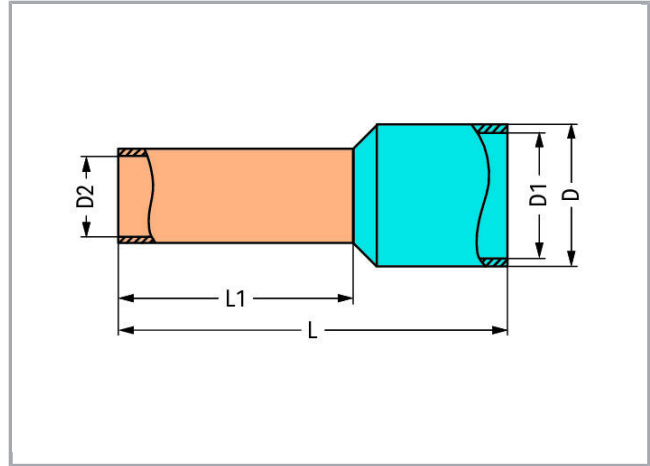


Data sheet | Item number: 216-205

Ferrule; Sleeve for 2.08 mm² / AWG 14; insulated; electro-tin plated; yellow

www.wago.com/216-205



Subject to changes. Please also observe the further product documentation!

WAGO Kontakttechnik GmbH & Co. KG
Hansastr. 27
32423 Minden
Phone: +49571 887-0 | Fax: +49571 887-169
Email: info.de@wago.com | Web: www.wago.com

Do you have any questions about our products?
We are always happy to take your call at +49 (571) 887-44222.



Subject to changes. Please also observe the further product documentation!



Data

Technical Data

Main product function	Ferrule
Sleeve cross-section (AWG)	14 AWG
Sleeve for	2.08 mm ²

Connection data

Strip length	10 mm / 0.39 inch
--------------	-------------------

Geometrical Data

Length	15 mm
Length	15 mm
Length 1	8 mm
Diameter	4.8 mm
Diameter	4.8 mm
Diameter 1	4.2 mm
Diameter 2	2.05 mm

Material Data

Color	yellow
Fire load	0.002 MJ
Weight	0.2 g

Commercial data

Product Group	2 (Terminal Block Accessories)
Packaging type	BOX
Country of origin	DE
GTIN	4017332277501
Customs tariff number	85369010000

Subject to changes. Please also observe the further product documentation!

Counterpart

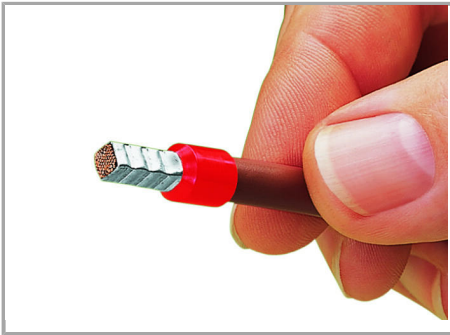
Downloads

Documentation

Bid Text

216-205 GAEB X81 - Datei	Feb 19, 2019	xml 2.9 kB	Download
216-205 doc - Datei	Sep 11, 2017	doc 24.1 kB	Download

Handling Instructions



A perfect gas-tight crimp – both electrically and mechanically reliable

Subject to changes. Please also observe the further product documentation!