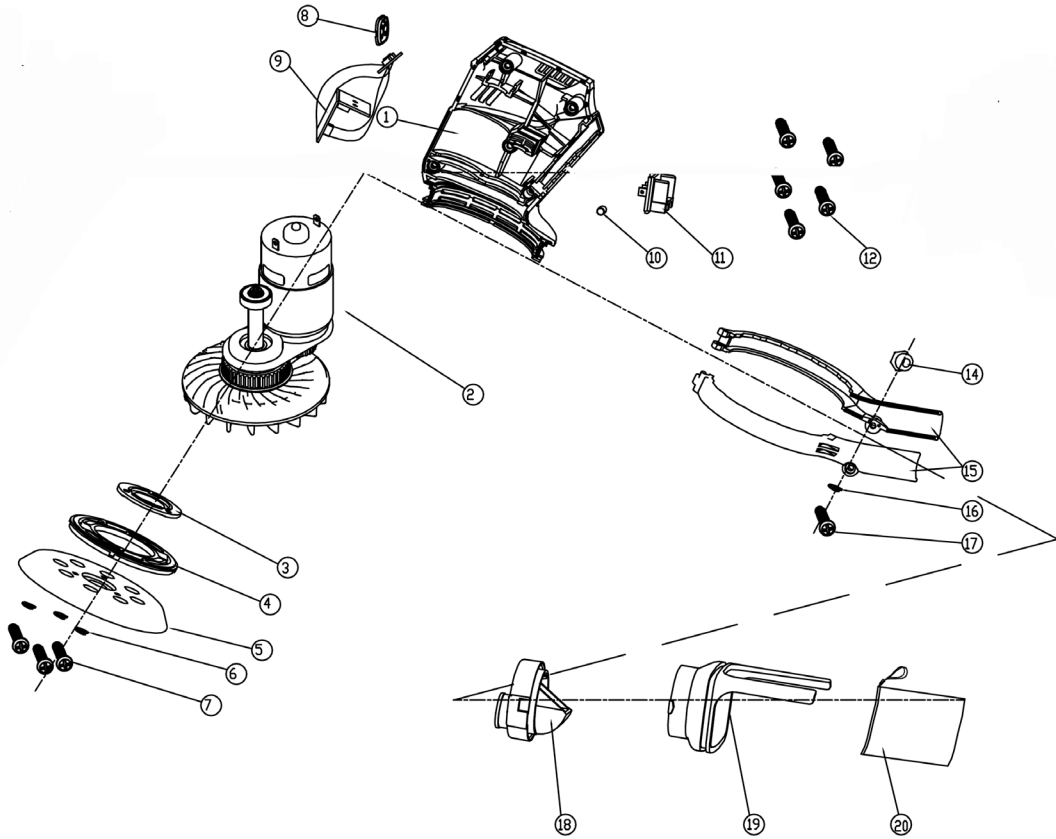




Parts Information:  
**Orbital Palm Sander 20V 125mm - Body Only**  
**Model No: CP20VOS**



Item	Part No.	Description
1	CP20VOS.01	Casing Complete
2	CP20VOS.02	Gearbox
3	CP20VOS.03	Fixed Plate
4	CP20VOS.04	Bearing Support Ring
5	CP20VOS.05	Ø125mm hook-and-loop backing pad
6	CP20VOS.06	Spring Washer
7	CP20VOS.07	Screw
8	CP20VOS.08	Switch Button
9	CP20VOS.09	PCB
10	CP20VOS.10	Rubber Pin
11	CP20VOS.11	Battery Contact Plate
12	CP20VOS.12	Screw
--	CP20VBP	Power Tool Battery 20V 3Ah Li-ion for CP20V Series (NOT SUPPLIED)

Item	Part No.	Description
--	CP20VBP2	Power Tool Battery 20V 2Ah Lithium-ion for CP20V Series (NOT SUPPLIED)
--	CP20VBP4	Power Tool Battery 20V 4Ah Lithium-ion for CP20V Series (NOT SUPPLIED)
14	CP20VOS.14	Nut
15	CP20VOS.15	Dust Cover Support Left & Right
16	CP20VOS.16	Spring Washer
17	CP20VOS.17	Screw
18	CP20VOS.18	Dust Cover
19	CP20VOS.19	Dust Bag Support
20	CP20VOS.20	Dust Bag
--	CP20VMC	Battery Charger 20V Lithium-ion for CP20V Series (NOT SUPPLIED)

**NOTE:** It is our policy to continually improve products and as such we reserve the right to alter data, specifications and component parts without prior notice.

**IMPORTANT:** No liability is accepted for incorrect use of product.

**WARRANTY:** Guarantee is 12 months from purchase date, proof of which will be required for any claim.

**Sealey Group**, Kempson Way, Suffolk Business Park, Bury St Edmunds, Suffolk. IP32 7AR



01284 757500



01284 703534



sales@sealey.co.uk



www.sealey.co.uk