

## Line laser, red, 650nm, 90°, 5mW

LD650-5-5(12x32)-PL

Order Number: 70113600

Main Parameters (*)	min	typ	max	Unit
Wavelength		650		nm
Optical Output Power		5		mW
Operating Voltage	4.5	5	5.5	V DC
Operating Current	20	35	55	mA
Operating Temperature	-20		50	°C
Storage Temperature	-40		80	°C

### Technical Parameters

Lifetime	>5000h
RoHS	yes

### Optical Parameters

Beam Shape	Line
Laser Class	1
Divergence	D - 0.5mrad
Fan Angle	90°
Line Thickness	<0.7mm@1m
Operating Distance	1m
Optics	glass lens AR coated
Laser technology	Single Mode Diode
Protection Lens	yes
Focus	fixed (1000mm)

### Electrical Parameters

Potential of Housing	isolated
Power Supply	LFNT-5

### Mechanical Parameters

Size	Ø12x32mm
Material	aluminium
Cable length	100mm
Wire type	26AWG, 0,14mm <sup>2</sup>
Output Aperture	5.5mm
Housing Color	black
Weight	14g
Stripping of wire	5mm

(\*) Over the complete operating temperature range

### Features





- Operating Voltage 5V DC
- Image processing
- Low power consumption
- Compact size
- Laser Class 1

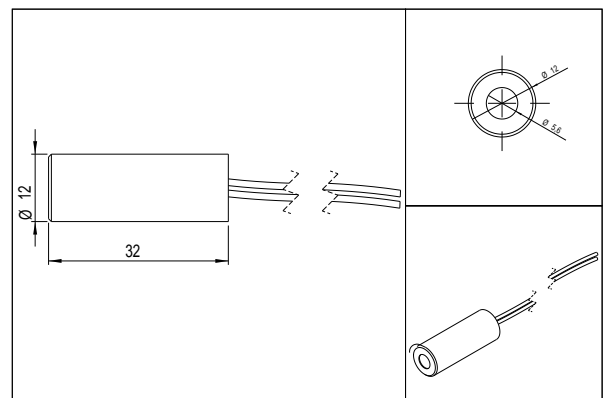
### Picture



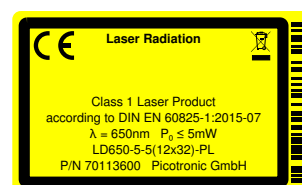
### Cable Colors

Ground		black	GND
Positive		red	4.5 - 5.5, typ 5V DC

### Drawing



### Safety Label



### Revision

REV 1 | 08-JAN-2018