

# RH-EL | Guard safety ledge handles

Regular profile, stainless steel



## MATERIAL

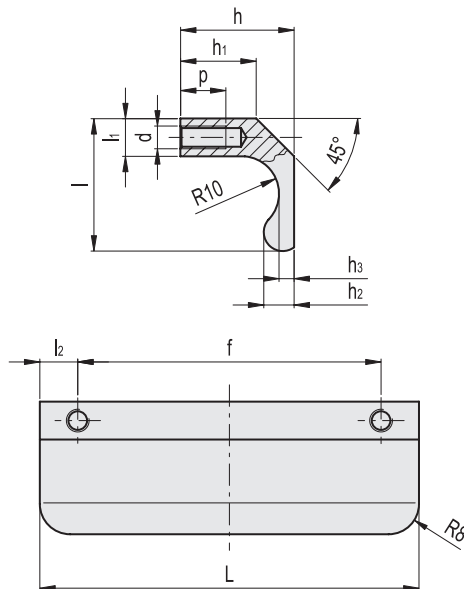
Stainless steel, shotblasted and semi-matte surface obtained by electropolishing.

## STANDARD EXECUTION

Threaded blind holes.

## SPECIAL EXECUTIONS ON REQUEST

Different lengths.



| Code           | f   | d  | p  | L   | h  | l  | l <sub>1</sub> | l <sub>2</sub> | h <sub>1</sub> | h <sub>2</sub> | h <sub>3</sub> | ⚖️  |
|----------------|-----|----|----|-----|----|----|----------------|----------------|----------------|----------------|----------------|-----|
| RHEL-35.060.36 | 60  | M6 | 12 | 80  | 30 | 35 | 10             | 10             | 20             | 8              | 4              | 248 |
| RHEL-35.080.36 | 80  | M6 | 12 | 100 | 30 | 35 | 10             | 10             | 20             | 8              | 4              | 313 |
| RHEL-35.100.36 | 100 | M6 | 12 | 120 | 30 | 35 | 10             | 10             | 20             | 8              | 4              | 376 |
| RHEL-35.130.36 | 130 | M6 | 12 | 150 | 30 | 35 | 10             | 10             | 20             | 8              | 4              | 467 |

