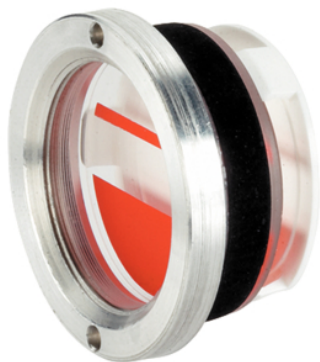


Oil-Sight Glasses

22860.0150



Product Description

Oil-sight glasses can be used for level control in tanks without excess pressure.

Material

Seal ring

- Resistant to oil and gasoline

Reflector

- Plastic, white

Ring nut

- Aluminium Al

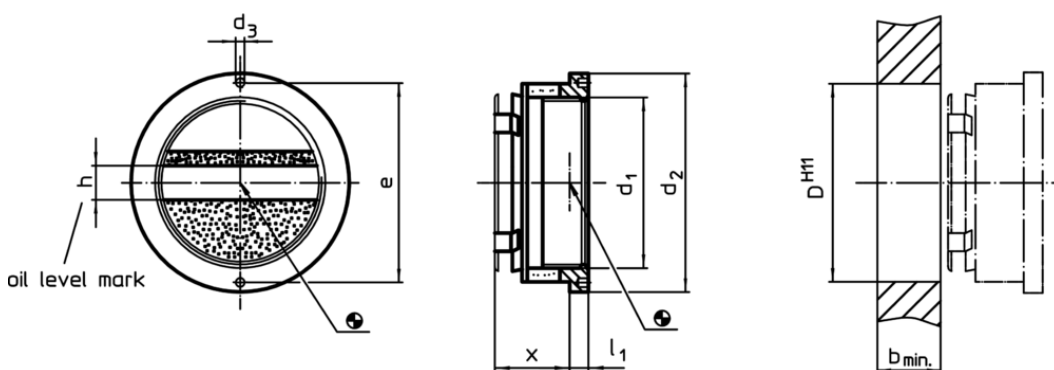
Oil-sight glass

- Plexiglass (PMMA) clear

Assembly

Can be fitted without thread in H11 borehole.
Sealing by simply tightening the ring nut.


Drawing



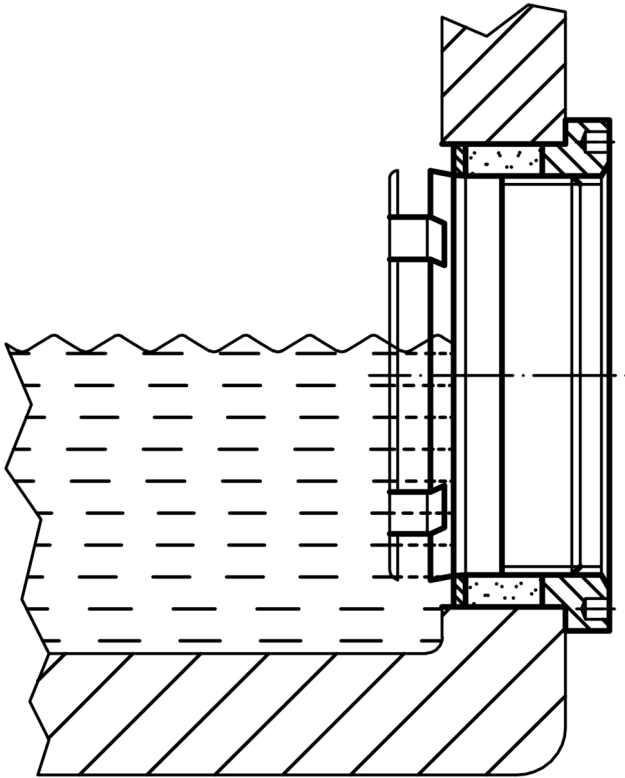
Order information

Size (sight opening) d_1	Dimensions							Location hole D H11 [mm]	Temperature		Weight [g]	Art. No.
	d_2	d_3	x ~	l_1	b min.	h	e		min.	max.		
with oil level mark												
50	64	3	22	5.5	14	10	58.5	58	-20	70	85	22860.0150

Accessories

Size (sight opening) d_1	Dimensions		Weight [g]	Art. No.	
	d h9 [mm]	e			
Assembly Tool					
	50	2.8	58.5	49	22860.0850

Application example



Compliance

RoHS compliant

Contains lead - compliant according to exceptions 6a / 6b / 6c

Contains SVHC substances >0,1% w/w

Contains lead - SVHC list [REACH] as of 10.06.2022

Contains Proposition 65 substances



Lead can cause cancer and reproductive harm from exposure
<https://www.P65Warnings.ca.gov/>

Free from Conflict Minerals

This product does not contain any substances designated as "conflict minerals" such as tantalum, tin, gold or tungsten from the Democratic Republic of Congo or adjacent countries.