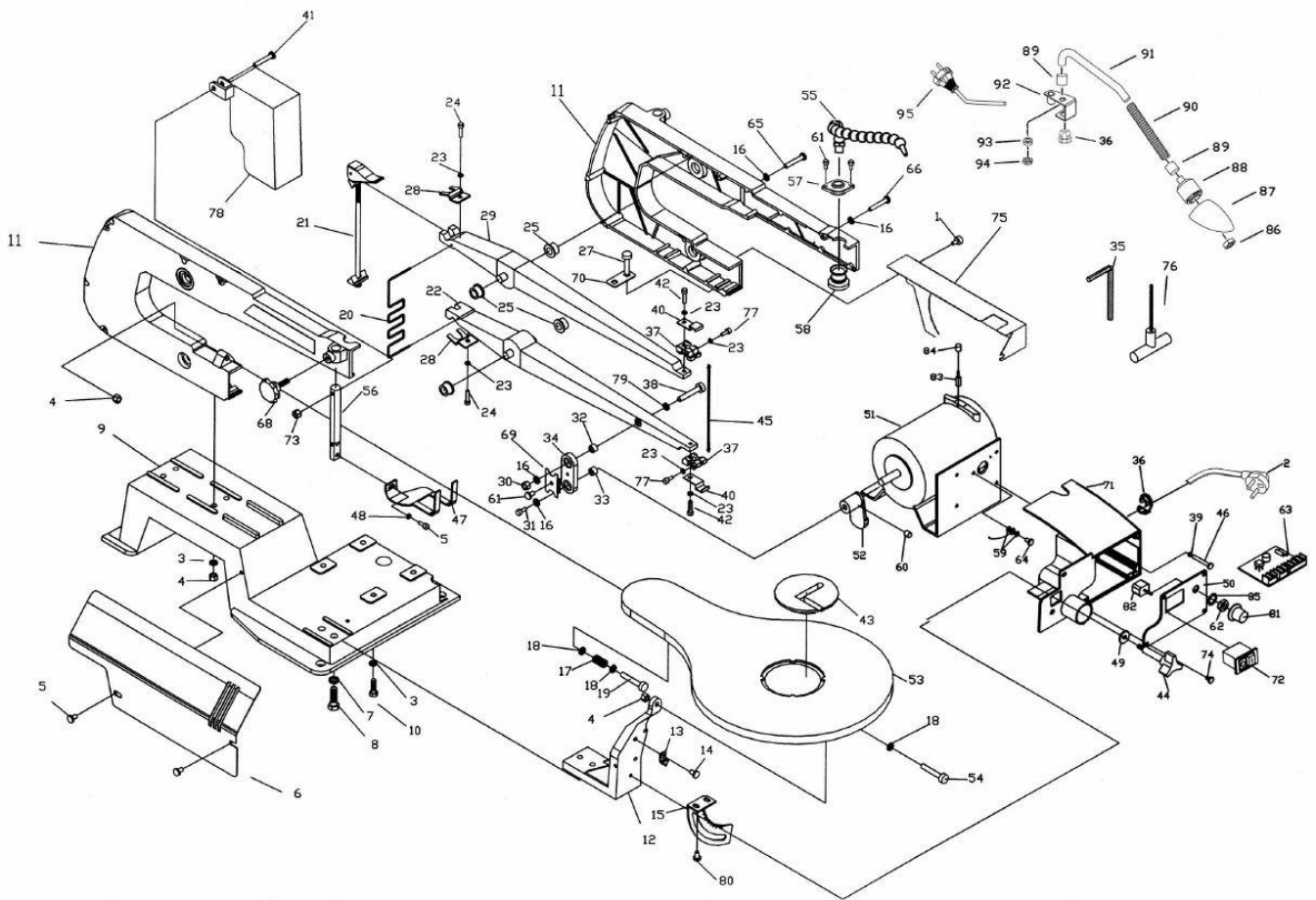




Parts Information:  
**Variable Speed Scroll Saw 406mm Throat  
230V  
Model No: SM1302.V2**



**NOTE:** It is our policy to continually improve products and as such we reserve the right to alter data, specifications and component parts without prior notice.

**IMPORTANT:** No liability is accepted for incorrect use of product.

**WARRANTY:** Guarantee is 12 months from purchase date, proof of which will be required for any claim.

**Sealey Group**, Kempson Way, Suffolk Business Park, Bury St Edmunds, Suffolk. IP32 7AR



01284 757500



01284 703534



sales@sealey.co.uk



www.sealey.co.uk



Parts Information:  
**Variable Speed Scroll Saw 406mm Throat  
 230V  
 Model No: SM1302.V2**

1	SM1302.V2-01	SCREW ST4.2X10
2	SM1302.V2-02	POWER SUPPLY
3	SM1302.V2-03	SPRING WASHER 6
4	SM1302.V2-04	HEX NUT M6
5	SM1302.V2-05	PAN HEAD SCREW M5x10
6	SM1302.V2-06	PLATE COVER
7	SM1302.V2-07	SPRING WASHER 8
8	SM1302.V2-08	BOLT M8x25
9	SM1302.V2-09	BASE
10	SM1302.V2-10	BOLT M6x20
11	SM1302.V2-11	ARM HOUSING SET
12	SM1302.V2-12	SUPPORT TABLE
13	SM1302.V2-13	SCALE INDICATOR
14	SM1302.V2-14	PAN HEAD SCREW M6x12
15	SM1302.V2-15	BEVEL SCALE
16	SM1302.V2-16	SPRING WASHER 5
17	SM1302.V2-17	SPRING
18	SM1302.V2-18	FLAT WASHER 6
19	SM1302.V2-19	HEX HEAD BOLT M6x40
20	SM1302.V2-20	SPRING
21	SM1302.V2-21	BOLT TENSION
22	SM1302.V2-22	ARM LOWER
23	SM1302.V2-23	SPRING WASHER 4
24	SM1302.V2-24	HEX HEAD SCREW M4x10
25	SM1302.V2-25	BEARING FLANGE
27	SM1302.V2-27	BOLT M6x25
28	SM1302.V2-28	RETAINER
29	SM1302.V2-29	ARM UPPER
30	SM1302.V2-30	HEX NUT M5
31	SM1302.V2-31	HEX HEAD SCREW M5x20
32	SM1302.V2-32	BEARING
33	SM1302.V2-33	LARGE WASHER
34	SM1302.V2-34	LINK
35	SM1302.V2-35	ALLEN WRENCH
36	SM1302.V2-36	STRAIN RELIEF
37	SM1302.V2-37	BLADE HOLDER
38	SM1302.V2-38	HEX HEAD SCREW M5x25
39	SM1302.V2-39	FLAT WASHER 4
40	SM1302.V2-40	PLATE CHIP
41	SM1302.V2-41	PAN HEAD SCREW ST4.2x10
42	SM1302.V2-42	HEX HEAD SCREW M4x16
43	SM1302.V2-43	TABLE INSERT
44	SM1302.V2-44	TABLE LOCKING KNOB
45	SM1302.V2-45	BLADE
46	SM1302.V2-46	PAN HEAD SCREW M4x16
47	SM1302.V2-47	DROP FOOT
48	SM1302.V2-48	TOOTH WASHER 5
49	SM1302.V2-49	WASHER 6

Item	Part No.	Description
50	SM1302.V2-50	SWITCH PLATE
51	SM1302.V2-51	MOTOR
52	SM1302.V2-52	ECCENTRIC
53	SM1302.V2-53	TABLE
54	SM1302.V2-54	HEX HEAD BOLT M6x35
55	SM1302.V2-55	SAWDUST BLOWER
56	SM1302.V2-56	ADJUSTMENT LEVEL
57	SM1302.V2-57	BELLOWS LOCKS
58	SM1302.V2-58	BELLOWS
59	SM1302.V2-59	TOOTH WASHER 4
60	SM1302.V2-60	SET SCREWS M8x8
61	SM1302.V2-61	PAN HEAD SCREW ST4.2x8
62	SM1302.V2-62	HEX NUT
63	SM1302.V2-63	PCB
64	SM1302.V2-64	PAN HEAD SCREW M4x6
65	SM1302.V2-65	PAN HEAD SCREW M5x35
66	SM1302.V2-66	PAN HEAD SCREW M5x30
68	SM1302.V2-68	KNOB
69	SM1302.V2-69	BEARING RETAINER
70	SM1302.V2-70	SET PLATE
71	SM1302.V2-71	SWITCH BOX
72	SM1302.V2-72	ON/OFF SWITCH
73	SM1302.V2-73	HEX NUT M5
74	SM1302.V2-74	SCREW ST4.2x13
75	SM1302.V2-75	BACK PLATE COVER
76	SM1302.V2-76	3mm T-HANDLE HEX KEY
77	SM1302.V2-77	HEX HEAD SCREW M4x16
78	SM1302.V2-78	BLADE GUARD
79	SM1302.V2-79	FLAT WASHER 5mm
80	SM1302.V2-80	PAN HEAD SCREW M5x8
81	SM1302.V2-81	SPEED KNOB
82	SM1302.V2-82	RELAY
83	SM1302.V2-83	CARBON BRUSH
84	SM1302.V2-84	CARBON BRUSH COVER
85	SM1302.V2-85	LOCK WASHER 10
86	SM1302.V2-86	RING
87	SM1302.V2-87	LAMP COVER
88	SM1302.V2-88	SOCKET
89	SM1302.V2-89	TUBE
90	SM1302.V2-90	NYLON TUBE
91	SM1302.V2-91	PIPE
92	SM1302.V2-92	CONNECTION ASS'Y
93	SM1302.V2-93	SPRING WASHER
94	SM1302.V2-94	NUT M10
95	SM1302.V2-95	POWER CORD AND PLUG