

Dot laser, green, 520 nm, 1 mW

DD520-1-24(12x40)-QCW-WP-C500
Order Number: 70146974

Main Parameters (*)	min	typ	max	Unit
Wavelength	510	520	530	nm
Optical Output Power		1		mW
Operating Voltage	12	24	24	V DC
Operating Current	5	10	20	mA
Operating Temperature	-10		60	°C
Storage Temperature	-40		80	°C

Main Data

Warranty 1 years

Technical Parameters

Lifetime > 6,000 h
RoHS yes

Optical Parameters

Beam Shape	Dot
Laser Class	2
Divergence	D - 0.5 mrad
Size of Laserdot	<8mm@10m
Operating Distance	50 m
Optics	glass lens AR coated
Laser technology	Single Mode Diode
Stability	+/- 3% @ -10-50°C
Protection Lens	yes
Focus	collimated
internal modulation frequency	1 kHz

Mechanical Parameters

Size	Ø12x40 mm
Material	aluminium
Cable length	500 mm
Wire type	24AWG, black, 3mm
Output Aperture	3 mm
Housing Color	black
Weight	16 g
PCB	no
Stripping of wire	5 mm

(*) Over the complete operating temperature range

Features

- Operating Voltage 24 V DC
- Compact size
- Laser Class 2
- High Power
- Fixed focus

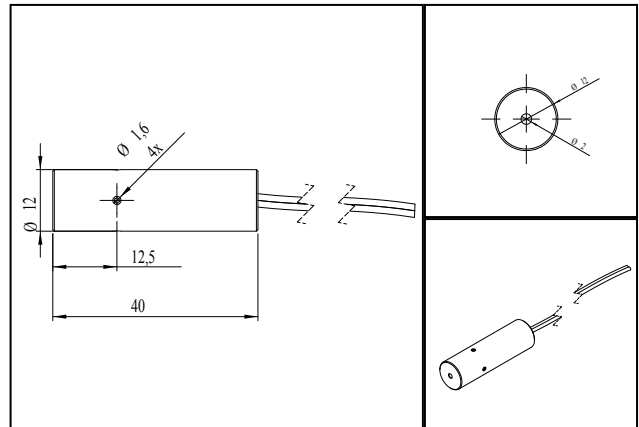
Picture



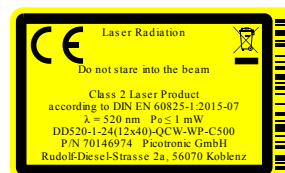
Cable color

Ground		blue	GND
positive		red	12 - 24, typ 24 V DC

Drawing



Safety Label



Valid Revision

| 13-MAY-2020