

PRO-ELEC



Model No. PEL00583

**NON MAINTAINED
LED EMERGENCY PANEL MOUNT MINI SPOTLIGHT**

Please read these instructions carefully before starting installation and retain for future reference. The centre page test record can be removed and kept with the building fire safety records.

IMPORTANT SAFETY INFORMATION

RISK OF ELECTRICAL SHOCK. ALWAYS ISOLATE THE POWER AT THE MAINS BEFORE INSTALLING OR MAINTAINING THIS EMERGENCY LIGHT.

- This product must be installed by a competent person in accordance with the Building Regulations and the current edition of the IET Wiring Regulations (BS7671).
- This product is suitable for mounting on normally flammable surfaces such as wood, plasterboard or masonry.
- Emergency light fittings should have their own separate mains circuit, protected with an appropriate MCB or fuse. They should not share their supply with other lighting or electrical equipment.
- This product is suitable for connection to a 220-240V~ 50Hz.
- This product must be earthed.
- This product is for indoor use only and suitable for ceiling mounting.
- This product will only illuminate in the event of a mains failure (non-maintained).
- Ensure that after installation the equipment and accessories remain accessible for regular maintenance and testing.

INSTALLATION

NOTE: Before drilling any holes, check that there are no hidden obstructions behind the mounting surface such as pipes or cables.

1. Cut a 30mm diameter hole in the ceiling for the light fitting.
2. Feed the mains supply wiring down through the hole just cut.
3. Unscrew and remove the cover over the mains input connectors on the emergency pack.
4. Make connection to the mains supply using the terminal block on the emergency pack. Ensure that the correct polarities are observed i.e.:
 - Brown – Live terminal 'L'
 - Blue – Neutral terminal 'N'.
 - Green/Yellow – Earth terminal 'E'
5. Refit the cover over the terminals feeding the cable out through the exit hole.
6. Write the current date on the battery pack in the space provided.
7. Connect the battery pack to the matching white in-line connector on the wires to the emergency pack.
8. Connect the lamp to the small black in-line connector to the emergency pack.
9. Insert the emergency pack and battery through the hole into the ceiling space and insert the lamp into the hole so it fits flush and is secure.
10. Turn on the power supply. The LED should light green to indicate that the battery is charging.
11. Perform the electrical tests specified in the Wiring Regulations (BS7671).

**Test Record Sheet on reverse
PULL OUT**

Installation, maintenance a

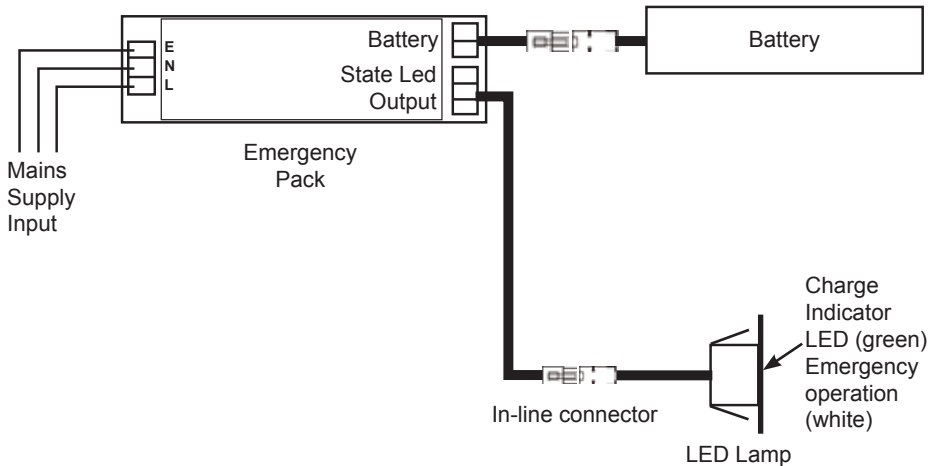
Location:

Installation date:

Installed by:

		20__		20__		2
Month	Test	Sign	Date	Sign	Date	S
1	Short					
2	Short					
3	Short					
4	Short					
5	Short					
6	1 h					
7	Short					
8	Short					
9	Short					
10	Short					
11	Short					
12	3h					

**Test Record Sheet on reverse
PULL OUT**



OPERATIONAL CHECKS

Note: This equipment must be checked regularly in compliance with local regulation and codes of practice. For your own safety, testing should occur during the day.

- After installation, you should allow 24 hours for the battery pack to charge fully before testing.
- Isolate the power supply and check that the lamp remain illuminated for at least three hours. Restore the power supply.
- Each day: Check that the green charging LED is lit.
- Each month (short test): Isolate the power supply and check that the lamp remains illuminated. Record the results on the test record sheet included with these instructions.
- Every six months: Isolate the power supply and check that the lamp remains illuminated after 1 hour. Record the results on the included test record.
- Once each year: Isolate the power supply and check that the lamp is still illuminated after 3 hours. Record the results on the included test record.

Please keep these test records in a safe place. A fire officer or other authorised person may want to see your record of inspection and testing.

CLEANING AND MAINTENANCE

- Clean this product with a soft, dry cloth only. Do not use any solvents or abrasive chemical cleaners.
- The LED lamp in this product is non-replaceable.

Changing the battery

- If after a routine operation check, the lamp does not remain lit for the 3 hour period, a new battery pack may be required. Change the battery pack as follows:
 1. Isolate from the mains supply.
 2. Remove the fitting from the ceiling cut-out.
 3. Extract the battery and emergency unit from above the ceiling.
 4. Unplug the in-line battery pack connector and remove the old battery pack.
 5. Write the current date on the new battery pack and connect it.
 6. Insert the emergency unit and battery into the ceiling space and refit the lamp into the hole making sure that it is securely clipped in place.
 7. Restore mains power and allow to charge for 24 hours.
 8. Perform the full operation check and update the test record.

SPECIFICATIONS

Input voltage:	220-240V~, 50Hz
Rated power:	1.0W
Lamps:	White LED 1W 6000k model
Luminous flux:	90 lumens (DC)
Continuous emergency illumination:	> 3 hours (when battery is fully charged)
Battery pack:	Ni-Cd 3.6V 1.5Ah
Recharge time:	24 hours – approx.
Ambient temperature:	0°C - 40°C
Over-discharge protection:	Yes
Ingress protection rating:	IP20



INFORMATION ON WASTE DISPOSAL FOR CONSUMERS OF ELECTRICAL & ELECTRONIC EQUIPMENT.



Cd



When this product has reached the end of its life it must be treated as Waste Electrical & Electronic Equipment (WEEE). Any WEEE marked products must not be mixed with general household waste, but kept separate for the treatment, recovery and recycling of the materials used. Waste batteries can be returned to any waste battery recycling point which are provided by most battery retailers. Contact your local authority for details of battery and recycling schemes in your area.

Made in China. PR2 9PP
Man Rev 1.0