

side wall mounted rot. operator emergency-off IEC IP65 accessory for: 3VA6  
150/250 3VA5 250



Model	
product brand name	SENTRON
product designation	Accessories
design of the product	Side wall-mounted rotary operator
accessories	Side panel rotary operating mechanism
General technical data	
degree of protection NEMA rating	1, 3R, 12
protection class IP	IP65
Mechanical Design	
height	82 mm
Further information	

**Siemens has decided to exit the Russian market (see here).**

<https://press.siemens.com/global/en/pressrelease/siemens-wind-down-russian-business>

**Siemens is working on the renewal of the current EAC certificates.**

Please contact your local Siemens office on the status of validity of the EAC certification if you intend to import or offer to supply these products to an EAC relevant market (other than the sanctioned EAEU member states Russia or Belarus).

**Information on the packaging**

<https://support.industry.siemens.com/cs/ww/en/view/109813875>

**Information- and Downloadcenter (Catalogs, Brochures,...)**

<http://www.siemens.com/lowvoltage/catalogs>

**Industry Mall (Online ordering system)**

<https://mall.industry.siemens.com/mall/en/en/Catalog/product?mlfb=3VA9277-0PK15>

**Service&Support (Manuals, Certificates, Characteristics, FAQs,...)**

<https://support.industry.siemens.com/cs/ww/en/ps/3VA9277-0PK15>

**Image database (product images, 2D dimension drawings, 3D models, device circuit diagrams, ...)**

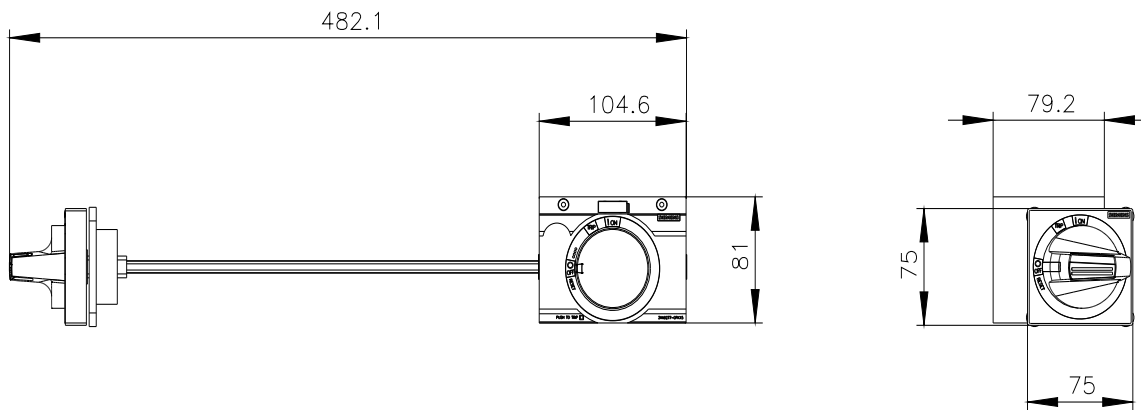
[http://www.automation.siemens.com/bilddb/cax\\_en.aspx?mlfb=3VA9277-0PK15](http://www.automation.siemens.com/bilddb/cax_en.aspx?mlfb=3VA9277-0PK15)

**CAX-Online-Generator**

<http://www.siemens.com/cax>

**Tender specifications**

<http://www.siemens.com/specifications>



---

last modified:

4/20/2023 

