

# FELLER GMBH

A-2525 GUENSELSDORF, AUSTRIA - TEL.: .. 43(2256) 62 32 50 - FAX: .. 43 (2256) 62 32 57  
e-mail: sales@feller-at.com <http://www.feller-at.com>

## **Description: 498G-SVT3X18AWG-C5/1,80M SW9005**

Rating of cord set: 7A/125Vac

### **1. PLUG: Type 498G**

Molded plug according to : NEMA 5-15  
Rated current and voltage max.: 15 A, 125 V AC  
Plugbase : PA6.6 GF  
Pins : solid brass, nickel-plated, crimped  
Pins dimension : grounding O.D. 4,8 mm  
  line and neutral 6,20 mm x 1,40 mm  
Outer mold : PVC compound, hardness Shore A 75-77  
Approvals : UL, CSA  
SCIP database : d790a47a-25a5-40e1-95bc-2017a434eeb9

### **2. CORD: Type SVT3x18AWG NA-cc BLACK**

Flexible cord according to : UL62, CSA 22.2 No.49  
Marked : \*JF\*UL\*E41542\*SVT\*3X18AWG\*(0.824mm2)\*60C\*300V\*FT2\*CSA  
Number of cores : 3  
Conductor construction : 46 x 0,15 mm O.D. 1,22mm  
Conductor insulation : Extruded PVC, O.D. 2,10mm  
Jacket : Extruded PVC, O.D. 6,20 mm +/-0,20mm  
Temperature rating : -20°C to +60°C  
Color of conductors : green, black, white  
Resistance of conductors : max. 22,37 Ohm/km  
Dielectric strength : 1,5kVac, 1min.  
Insulation resistance : >0,010MΩ/km  
Approvals : UL, CSA

### **3. CONNECTOR: Type C5**

Molded connector according to : EN/IEC 60320/C5, UL 817, C22.2No.21  
Rated current and voltage : 7A, 125 V AC (USA,CANADA)  
Construction : double insulation, contacts crimped  
Contacts of the connection : phosphor bronze CuSn6  
Inner insulation : PPO GFR  
Outer mold : PVC compound, hardness Shore A 75-77  
Approvals : CE,UL,CSA

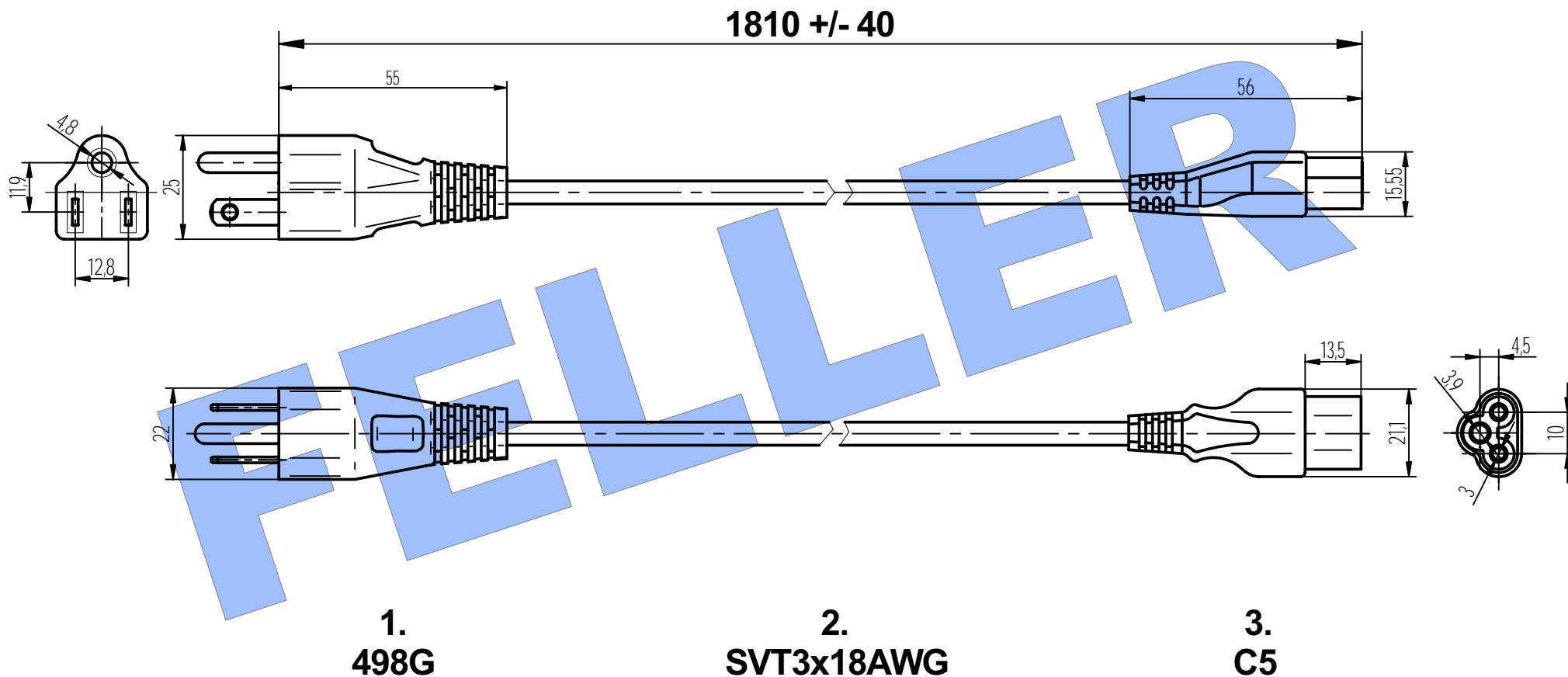
**Environmental conformity** : EU-Directive 2012/19/EU (WEEE)  
  EU-Directive 2011/65/EU  
  EU-Directive 1907/2006 EG (REACH -compliant)

### **TESTING**

Electrical testing : 100%  
Visual inspection : 100%  
High pot test wire to wire : 3kVac for 2 sec.  
Continuity test : 25A to grounding / 20Aac to line and neutral  
Polarity test : yes  
Skin high pot test : 6kVac line to skin

design subject to change without prior notice, except written agreements with customer

DATE of ISSUE:	January, 2023
REV:	ORIG: DG



**Feller Type: 498G-SVT3X18AWG-C5/1,80M SW9005**

PN: 88F328

**RoHS compliant**

25.01.2023

**DG**

**All dimensions in mm**

**FELLER** 

A-2525 Günselsdorf, Austria

Telefon 0043-2256-62325-0

Fax: 0043-2256-62325-7

email: [sales@feller-at.com](mailto:sales@feller-at.com)

<http://www.feller-at.com>