

## Crimp contact - SF-20KP011 - 1050147

Please be informed that the data shown in this PDF Document is generated from our Online Catalog. Please find the complete data in the user's documentation. Our General Terms of Use for Downloads are valid (<http://phoenixcontact.com/download>)



Crimp contact, turned, contact diameter: 2 mm, crimp range: 0.25 mm<sup>2</sup> ... 1 mm<sup>2</sup>


The figure may differ depending on the connection area

### Your advantages

- ✓ Crimping connection: vibration- and temperature-resistant assembly
- ✓ High tensile strength of the connection
- ✓ Low contact resistance
- ✓ Easy production monitoring



### Key Commercial Data

Packing unit	50 pc
Minimum order quantity	50 pc
GTIN	 4 0 5 5 6 2 6 7 4 3 5 6 1
GTIN	4055626743561
Weight per Piece (excluding packing)	0.910 g
Custom tariff number	85366990
Country of origin	Germany
Note	Made to Order (non-returnable)

### Technical data

#### General

Insertion/withdrawal cycles mechanical	100
Contact connection method	Crimp connection
Type of contacts	Pin
Contact diameter of power contacts	2 mm
Litz wire cross section of power contacts min.	0.25 mm <sup>2</sup>
Litz wire cross section of power contacts max.	1 mm <sup>2</sup>

# Crimp contact - SF-20KP011 - 1050147

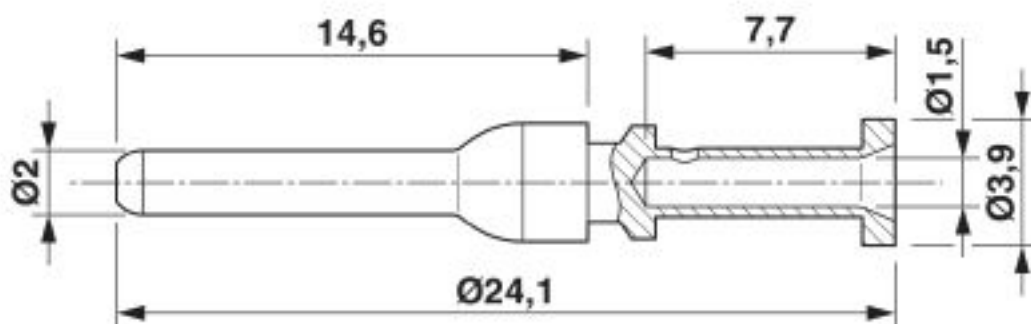
## Technical data

### Environmental Product Compliance

REACH SVHC	Lead 7439-92-1
China RoHS	Environmentally Friendly Use Period = 50 years
	For details about hazardous substances go to tab "Downloads", Category "Manufacturer's declaration"

## Drawings

Dimensional drawing



## Classifications

### eCl@ss

eCl@ss 10.0.1	27440204
eCl@ss 5.1	27261200
eCl@ss 6.0	27261200
eCl@ss 7.0	27440204
eCl@ss 8.0	27440204
eCl@ss 9.0	27440204

### ETIM

ETIM 5.0	EC000796
ETIM 6.0	EC000796
ETIM 7.0	EC000796

## Accessories

Accessories

Crimping tool

## Crimp contact - SF-20KP011 - 1050147

### Accessories

Crimping pliers with digital display - SF-Z0025 - 1607452



Crimping pliers for turned crimp contacts  $\varnothing$  1.0 mm /  $\varnothing$  1.6 mm /  $\varnothing$  2 mm /  $\varnothing$  3.6 mm, litz wire cross section of 0.08 mm<sup>2</sup> ... 6 mm<sup>2</sup>