

## 7/8"-Splitters/T-Connectors

0906 UTP 303

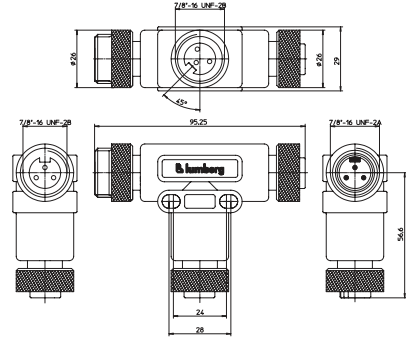


### 2 x 7/8" Female to 1 x 7/8" Male

Splitter/T-connector, with one 7/8" female, one 7/8" male and one 7/8" female connectors, 3-poles.

– especially suitable for DeviceNet and CANopen modules –

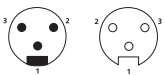
0906 UTP 303



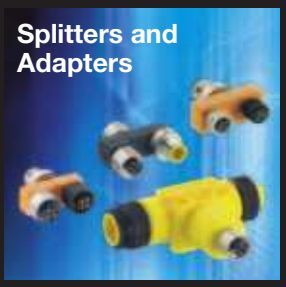
## Pin Assignments

### Face Views

#### 7/8" - 3 poles



- 1 = earth
- 2 = + 24 V
- 3 = GND (0 V)



Be Certain with Belden

**7/8"-Splitters/T-Connectors**

0906 UTP 303

**Technical Data**

**Environmental**

Degree of protection IP 67 / NEMA 6P  
 Operating temperature range -40°C (-40°F) / +90°C (+194°F)

**Mechanical**

Housing / Molded body TPU  
 Insert TPU  
 Contact CuZn, gold over silver plating  
 Coupling nut Aluminum, black anodized

**Electrical**

Nominal current 8 A  
 Nominal voltage 600 V

Part Number	Pins	Characteristics
-------------	------	-----------------

0906 UTP 303

3

