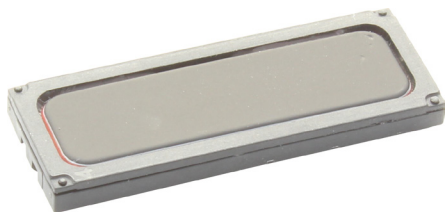


# 4Ω Miniature Speaker

**multicomp** PRO



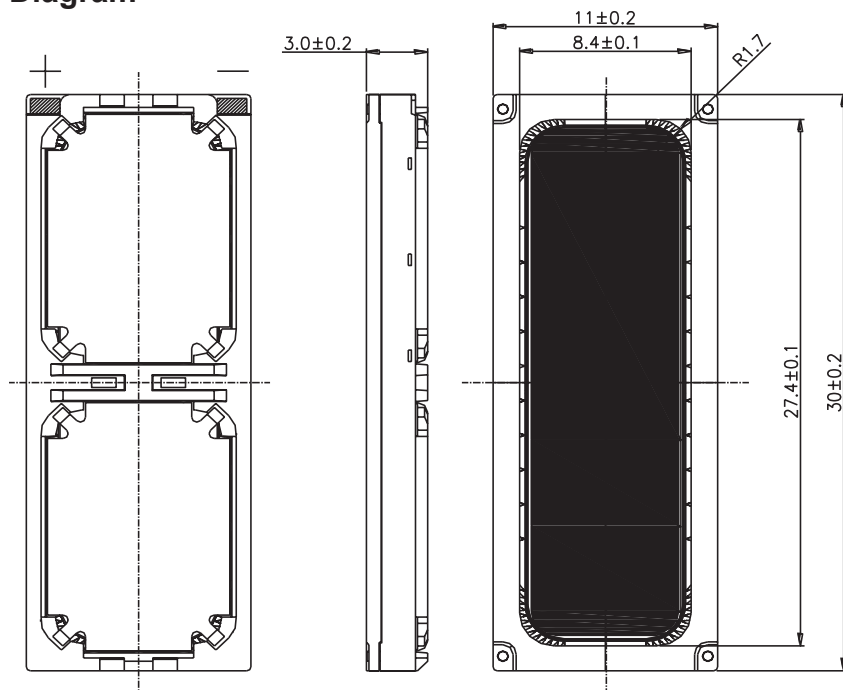
## Features

- Miniature rectangular 4Ω speaker, 2Wmax.
- The linked twin speakers help to improve SPL and sound quality.
- Excellent miniature speaker for voice and music reproduction.
- Suitable for a wide range of applications including bluetooth products, PDAs and for products where space is a premium.

## Specifications

Rated Impedance	: 4Ω ±15% (2kHz/2.45 Vrms/in 2cc box)
Rated Noise Power	: 1.5W (in 2cc box)
Max. Short Term Power	: 2W (in 2cc box)
Resonant Frequency (f <sub>0</sub> )	: 500 ±20% Hz (1V) in free air 850 ±20% Hz (1V) in 2cc box
Rated Frequency Range	: 500Hz to 10kHz
Sound pressure level	: 95 ±3dB (2.45V/0.1M at 2kHz in 2cc box)
Total Harmonic Distortion	: 10% Max. (at rated power/1KHz/10cm/2cc test fixture on baffle)
Operating Temperature	: -20°C to +70°C
Storage Temperature	: -40°C to +85°C
Weight	: 3.1g

## Diagram



Dimensions : Millimetres  
Tolerance: ±0.2mm

Newark.com/multicomp-pro  
Farnell.com/multicomp-pro  
sg.element14.com/b/multicomp-pro

**multicomp** PRO

# 4Ω Miniature Speaker



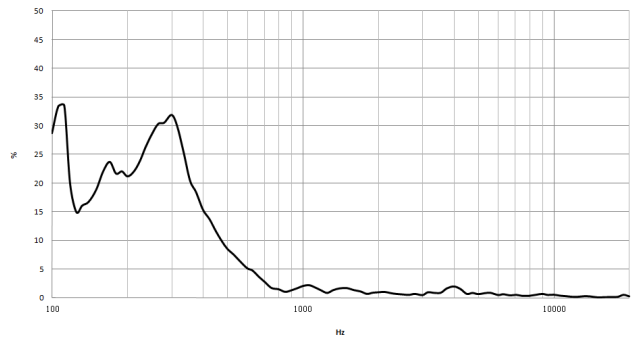
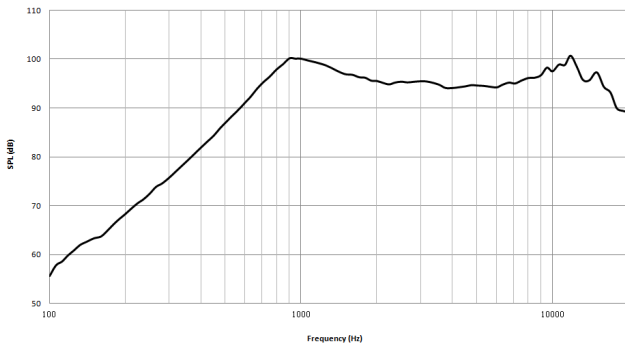
## Material

Frame & Front Cover : PPA  
 Diaphragm : PEEK  
 Voice coil × 2 : Copper Wire  
 Solder Joints × 2 : SUS (stainless steel)  
 Plate & Yoke × 2 : SPCC  
 Magnet × 2 : NdFeB

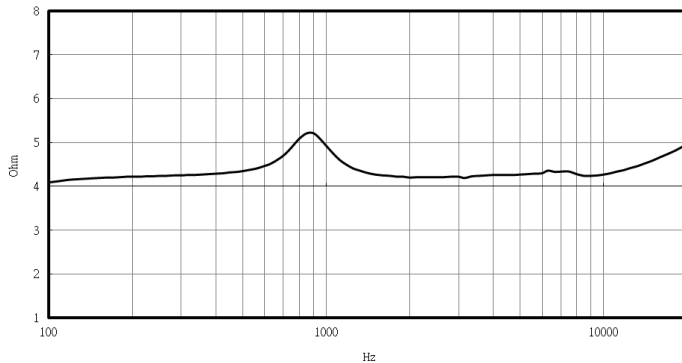
## Fixing

Wires to be soldered to solder points on rear of speaker.  
 Solder temp - 350-380°C for 2-3 seconds.

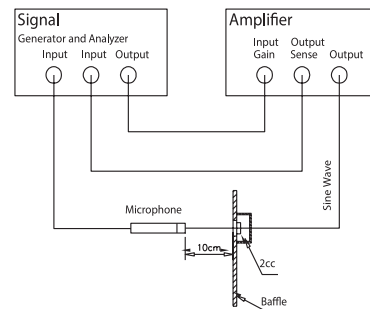
## 2.45Vrms/10cm/in 2cc box



## 2.45V



## Speaker Measurement Circuit



## Part Number Table

Description	Part Number
Miniature speaker, 4Ω, 30mm × 11mm × 3mm	MP000290

**Important Notice :** This data sheet and its contents (the "Information") belong to the members of the AVNET group of companies (the "Group") or are licensed to it. No licence is granted for the use of it other than for information purposes in connection with the products to which it relates. No licence of any intellectual property rights is granted. The Information is subject to change without notice and replaces all data sheets previously supplied. The Information supplied is believed to be accurate but the Group assumes no responsibility for its accuracy or completeness, any error in or omission from it or for any use made of it. Users of this data sheet should check for themselves the Information and the suitability of the products for their purpose and not make any assumptions based on information included or omitted. Liability for loss or damage resulting from any reliance on the Information or use of it (including liability resulting from negligence or where the Group was aware of the possibility of such loss or damage arising) is excluded. This will not operate to limit or restrict the Group's liability for death or personal injury resulting from its negligence. Multicomp Pro is the registered trademark of Premier Farnell Limited 2019.

[Newark.com/multicomp-pro](http://Newark.com/multicomp-pro)  
[Farnell.com/multicomp-pro](http://Farnell.com/multicomp-pro)  
[sg.element14.com/b/multicomp-pro](http://sg.element14.com/b/multicomp-pro)

