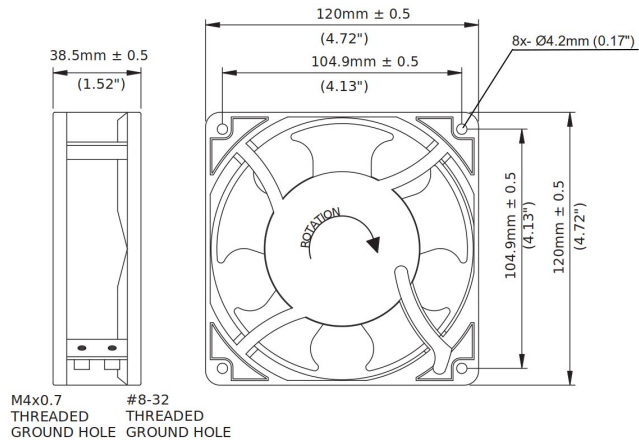


OA109AP Series



AC Fan, 115V, 230V
120x38mm (4.75"x1.5")



Frame	Die Cast Aluminum	Operating Temperature -20°C ~ +75°C (Ball Bearing) -10°C ~ +45°C (Sleeve Bearing) Storage Temperature -40°C ~ +100°C Life Expectancy Ball Bearing: 70,000 hours (L10 at 40°C) Sleeve Bearing: 30,000 hours (L10 at 40°C) Weight: 1.19 lbs m0	
Impeller	PBT, UL94 V-0 plastic		
Power Connection	2x Lead wires, 22 AWG 300mm, or Terminals		
Motor	AC Shaded Pole, Impedance protected		
Bearing System	Dual Ball or Sleeve		
Dielectric Strength	1 minute at 1500VAC, < 1 mA		
Insulation Resistance	>100 MΩ between lead wire and frame (500VDC)		

Part Number	Rated Voltage	Frequency	Input Power	Rated Speed (RPM)	Airflow (CFM)	Noise Level (dB)	Max. Static Pressure
OA109AP-11-1 *	115 VAC	60 Hz	15 W	3000	110	42	0.28" H ₂ O
OA109AP-11-2 *	115 VAC	60 Hz	11 W	2300	71	35	0.21" H ₂ O
OA109AP-11-3 *	115 VAC	60 Hz	8 W	1600	51	25	0.15" H ₂ O
OA109AP-22-1 *	230 VAC	60 Hz	15 W	3000	110	42	0.28" H ₂ O
OA109AP-22-2 *	230 VAC	60 Hz	11 W	2300	71	35	0.21" H ₂ O
OA109AP-22-3 *	230 VAC	60 Hz	8 W	1600	51	25	0.15" H ₂ O

* Indicate "TB" (Terminal Ball Bearing), "WB" (Wire Leads, Ball Bearing), "TS" (Terminal, Sleeve Bearing), "WS" (Wire Leads, Sleeve Bearing)