

Line laser, infrared, 850nm, 90°, 30mW

LH850-30-3(16x45)-PL
Order Number: 70102017

Main Parameters (*)	min	typ	max	Unit
Wavelength		850		nm
Optical Output Power		30		mW
Operating Voltage	2.7	3	3.3	V DC
Operating Current	30	55	70	mA
Operating Temperature	-20		50	°C
Storage Temperature	-40		80	°C

Technical Parameters

Lifetime	>5000h
RoHS	yes

Optical Parameters

Beam Shape	Line
Laser Class	1M
Divergence	H - 1.0mrad
Fan Angle	90°
Line Thickness	<2mm@3m
Operating Distance	5m
Optics	glass lens AR coated
Laser technology	Single Mode Diode
Protection Lens	no
Focus	fixed (3000mm)

Mechanical Parameters

Size	Ø16x45mm
Material	aluminium
Cable length	100mm
Wire type	26AWG, 0,14mm ²
Output Aperture	6.8mm
Housing Color	black
Weight	23.5g
Stripping of wire	5mm

(*) Over the complete operating temperature range

Features





- Operating Voltage 3V DC
- Image processing
- Uniform line thickness
- Compact size
- Laser Class 1M

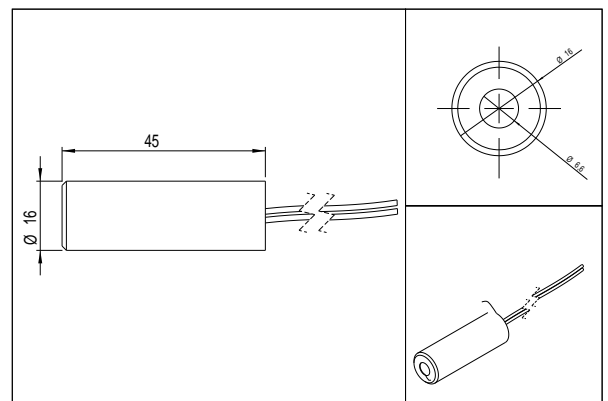
Picture



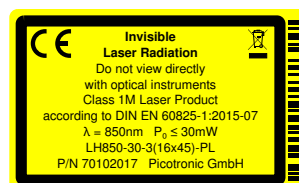
Cable Colors

Ground		black	GND
Positive		red	2.7 - 3.3, typ 3V DC

Drawing



Safety Label



Revision

REV 4 | 06-MAR-2017