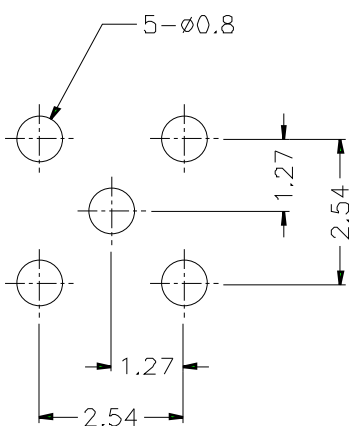
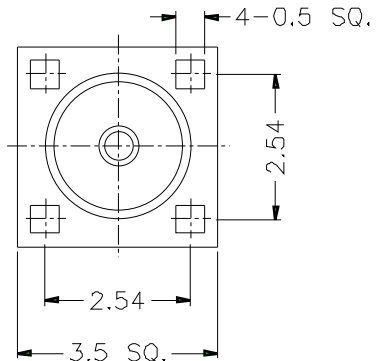
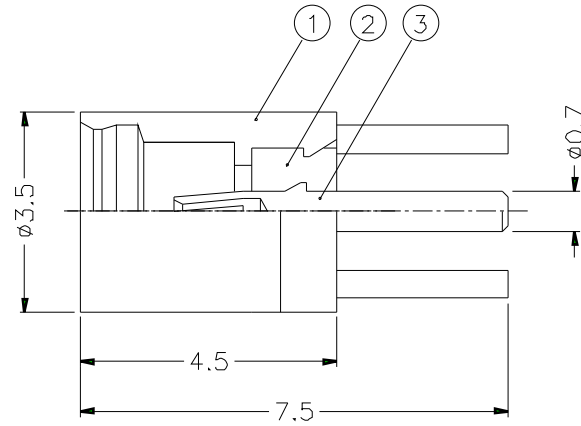


		1		2		3		4		5		6		7		8	
REVISIONS																	
ISS	ZONE	DESCRIPTION\PER REQUEST\DATE															



PCB MOUNTING HOLES



- NOTES, FINISH (PLATING THICKNESS IN MICRO-INCHES)
1. BRASS PER QQ-B-626
 2. GOLD PL. 3 MIN. THICK OVER NICKEL PL. 100 MIN. THICK OVER COPPER STRIKE
 3. BERYLLIUM COPPER PER QQ-C-530
 4. GOLD PL. 30 MIN. THICK OVER NICKEL PL. 100 MIN. THICK OVER COPPER STRIKE
 5. TEFLON MIL-P-19468

DIMENSIONS ARE IN MILLIMETERS										PART NO.	
UNLESS OTHERWISE SPECIFIED TOLERANCES										MMCX6251N1-3GT30G-50	
0.5-6 = ±0.2										APPROVED	
6-30 = ±0.4										DATE	
30-120 = ±0.6										10-11-01'	
120-315 = ±1										CHECKED	
315-1000 = ±1.6										DATE	
1000-2000 = ±2.4										10-11-01'	
										DRAWN	
										DATE	
										10-11-01'	

<h1>Amphenol</h1>			
		TITLE	MMCX P.C. MOUNT JACK
		DRAWING NO.	KJ-MMCX6251N1-3GT30G-50
		ITEM NO.	

3	CONTACT PIN	NOTE 3	NOTE 4	1	MMCX6251N1-3
2	INSULATOR	NOTE 5	NATURAL	1	MMCX6251N1-2T-50
1	BODY	NOTE 1	NOTE 2	1	MMCX6251N1-1-B
NO.	DESCRIPTION	MATERIAL	FINISH	Q'TY	DRAWING NO.