

Retaining Latches · wing grip, one-sided

24101.0263



Product Description

To be used for door locking, drawers and as handling aid etc.
The retaining catch is indexing 4 x 90°.

Material

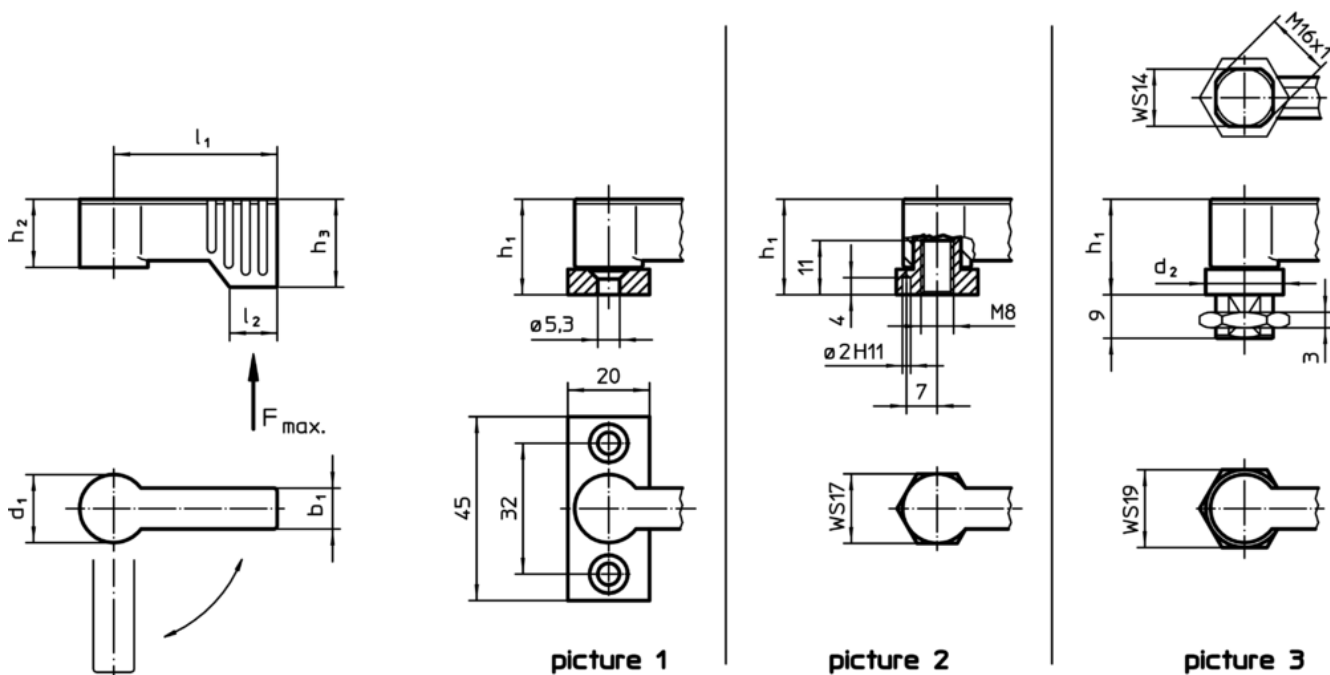
Lever

- Zinc die-cast, plastic coated, black, similar to RAL 9005, matt structure

Inner parts

- steel
- plastic

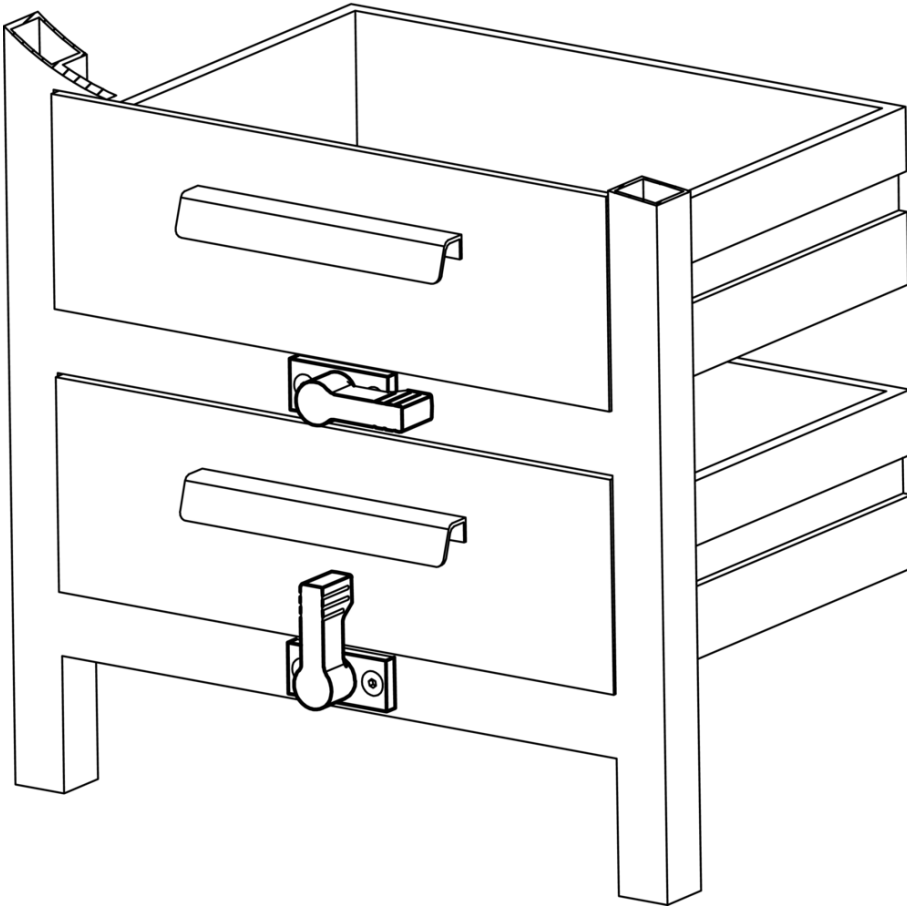
Drawing



Order information

d ₁	l ₁	b ₁	d ₂	Dimensions				l ₂	Load capacity F max. [N]	[g]	Art. No.
				h ₁ ~ [mm]	h ₂ ~	h ₃ min.					
with male thread – picture 3, black											
17	55	10	19	22	16.5	21.5	11	450	195	24101.0263	

Application example



Compliance

RoHS compliant

Compliant according to Directive 2011/65/EU and Directive 2015/863

Does not contain SVHC substances

No SVHC substances with more than 0.1% w/w contained - SVHC list [REACH] as of 10.06.2022

Does not contain Proposition 65 substances

No Proposition 65 substances included
<https://www.P65Warnings.ca.gov/>

Free from Conflict Minerals

This product does not contain any substances designated as "conflict minerals" such as tantalum, tin, gold or tungsten from the Democratic Republic of Congo or adjacent countries.