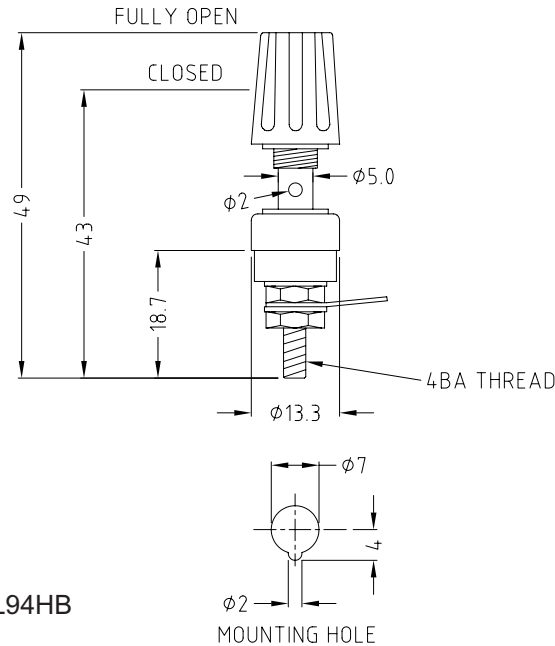


# CLIFF

## TERMINAL SERIES TP/1



Current Rating: 15A.  
Flammability: Min UL94HB

Unassembled parts come with top and bottom insulators, nuts and washers bulk packed.



**CL1505 - TP/1 BLACK**  
ASSEMBLED

**CL1505U - TP/1 BLACK**  
UNASSEMBLED



**CL1508 - TP/1 GREEN**  
ASSEMBLED

**CL1508U - TP/1 GREEN**  
UNASSEMBLED



**CL1506 - TP/1 RED**  
ASSEMBLED

**CL1506U - TP/1 RED**  
UNASSEMBLED



**CL1509 - TP/1 WHITE**  
ASSEMBLED

**CL1509U - TP/1 WHITE**  
UNASSEMBLED



**CL1507 - TP/1 BLUE**  
ASSEMBLED

**CL1507U - TP/1 BLUE**  
UNASSEMBLED



**CL1512 - TP/1 YELLOW**  
ASSEMBLED

**CL1512U - TP/1 YELLOW**  
UNASSEMBLED

All models can be supplied with either gold or nickel plated finish. Customised versions available dependant on MOQ's.

For further information, contact: [sales@cliffuk.co.uk](mailto:sales@cliffuk.co.uk)

**Cliff Electronic Components Limited,**  
76 Holmethorpe Avenue, Holmethorpe Ind. Estate,  
Redhill, Surrey RH1 2PF U.K.  
Tel: +44 (0)1737 771375 Fax: +44 (0)1737 766012



Visit us online at:

[www.cliffuk.co.uk](http://www.cliffuk.co.uk)