

MAIN CONTROL SWITCH 3-POLE IU=63, P/AC-23A
 AT 400V=22KW BASE MOUNTING MOUNTING
 RAIL/TWO-HOLE MOUNTING ROTARY ACTUATOR
 BLACK



Figure similar

| Model | | |
|--|-----|----------------------------------|
| product brand name | | SENTRON |
| Product designation | | Main and EMERGENCY-STOP switches |
| Design of the operating mechanism | | rotary actuator, black |
| Type of the driving mechanism / motor drive | | No |
| General technical data | | |
| Number of poles | | 3 |
| Type of device | | fixed mounting |
| Protection against electrical shock | | finger-safe |
| Mechanical service life (switching cycles) / of the main contacts / typical | | 100 000 |
| Operating frequency / maximum | 1/h | 50 |
| Voltage | | |
| Insulation voltage / Rated value | V | 690 |
| Surge voltage resistance / Rated value | V | 6 000 |
| Protection class | | |
| Protection class IP | | IP65 |
| Electricity | | |
| Continuous current / Rated value | A | 63 |
| Short-time current resistance (I _{cw}) / at 690 V / limited to 1 s / Rated value | A | 1 260 |
| Main circuit | | |
| Operating frequency | | |
| • initial value | Hz | 50 |

| | | |
|--|----|------|
| • Full-scale value | Hz | 60 |
| Operating power | | |
| • at AC-23 A / at 400 V / Rated value | kW | 22 |
| • at AC-23 A / at 690 V / Rated value | kW | 18.5 |
| • at AC-3 / at 400 V / Rated value | kW | 18.5 |
| • at AC-3 / at 690 V / Rated value | kW | 15 |
| Operating voltage | | |
| • with AC / at 50/60 Hz / Rated value | V | 690 |
| Operating current / at AC-21 / Rated value | A | 63 |

| Auxiliary circuit | | |
|--|---|-----|
| Number of CO contacts / for auxiliary contacts | | 0 |
| Number of NC contacts / for auxiliary contacts | | 0 |
| Number of NO contacts / for auxiliary contacts | | 0 |
| Operating voltage / of the auxiliary contacts / with AC / maximum | V | 500 |
| Continuous current / of the auxiliary contact / Rated value | A | 10 |
| Insulation voltage / of the auxiliary switch / Rated value | V | 500 |

| Suitability | | |
|-----------------------------|--|-----|
| Suitability for use | | |
| • Main switch | | Yes |
| • switch disconnecter | | Yes |
| • EMERGENCY OFF switch | | No |
| • safety switch | | Yes |
| • maintenance/repair switch | | Yes |

| Product details | | |
|------------------------------|--|-----|
| Product feature / interlock | | Yes |
| Product expansion / optional | | |
| • motor drive | | No |
| • Voltage trigger | | No |

| Connections | | |
|--|-----------------|-----|
| Connectable conductor cross-section | | |
| • for main contacts | | |
| — single or multi-stranded / minimum | mm ² | 2.5 |
| — single or multi-stranded / maximum | mm ² | 35 |
| — finely stranded / with core end processing / maximum | mm ² | 16 |
| — stranded / minimum | mm ² | 2.5 |
| — stranded / maximum | mm ² | 35 |
| • for auxiliary contacts | | |

| | | |
|--|-----------------|--|
| — single or multi-stranded / minimum | mm ² | 0.75 |
| — single or multi-stranded / maximum | mm ² | 4 |
| — finely stranded / with core end processing / minimum | mm ² | 0.75 |
| — finely stranded / with core end processing / maximum | mm ² | 2.5 |
| — stranded / minimum | mm ² | 0.75 |
| — stranded / maximum | mm ² | 4 |
| Type of connectable conductor cross-section | | |
| • for main contacts / finely stranded / with core end processing | | 16 |
| • for auxiliary contacts | | |
| — solid | | 50 |
| — finely stranded / with core end processing | | 2x (0.75 ... 1.5 mm ²), 1x 2.5 mm ² |
| Type of electrical connection | | |
| • for main current circuit | | connection terminals |
| • for auxiliary contacts | | connection terminals |

Requirements

| | | |
|---|--|------------------|
| Design of the fuse link | | |
| • for short-circuit protection of the main circuit / required | | fuse gL/gG: 63 A |
| • for short-circuit protection of the auxiliary switch / required | | fuse gL/gG: 10 A |

Mechanical Design

| | | |
|--|----|----------------|
| Height | mm | 106 |
| Width | mm | 90 |
| Depth | mm | 468.5 |
| Mounting type | | floor mounting |
| Mounting type | | |
| • front mounting | | No |
| • front mounting with 4-hole attachment | | No |
| • front mounting with central attachment | | Yes |
| • Side-by-side mounting | | Yes |
| • rail mounting | | No |

Environmental conditions

| | | |
|------------------------------|----|-----|
| Ambient temperature | | |
| • during operation / minimum | °C | -25 |
| • during operation / maximum | °C | 55 |

Certificates

| | | |
|--------------------------|--|---|
| Equipment marking | | |
| • acc. to DIN EN 61346-2 | | S |

General Product Approval



CCC



CSA



GOST



UL



VDE



| | | | | |
|--------------------------|---------------------------|-------------------|-------------------|-------|
| General Product Approval | Declaration of Conformity | Test Certificates | Shipping Approval | other |
|--------------------------|---------------------------|-------------------|-------------------|-------|

[other](#)



EG-Konf.

[Special Test Certificate](#)



GL

[Environmental Confirmations](#)

Further information

Information- and Downloadcenter (Catalogs, Brochures,...)

<http://www.siemens.com/lowvoltage/catalogs>

Industry Mall (Online ordering system)

<https://eb.automation.siemens.com/mall/en/WW/Catalog/Product/3LD25450TK51>

Service&Support (Manuals, Certificates, Characteristics, FAQs,...)

<http://support.automation.siemens.com/WW/view/en/3LD25450TK51/all>

Image database (product images, 2D dimension drawings, 3D models, device circuit diagrams, ...)

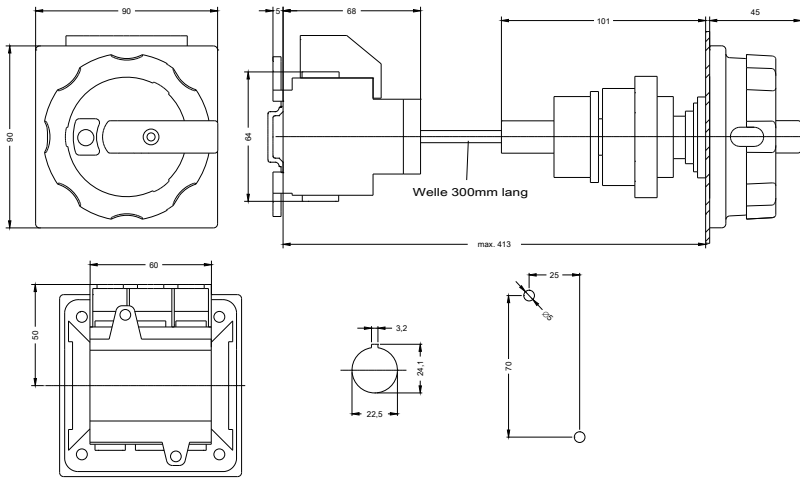
http://www.automation.siemens.com/bilddb/cax_en.aspx?mfb=3LD25450TK51

CAX-Online-Generator

<http://www.siemens.com/cax>

Tender specifications

<http://ausschreibungstexte.siemens.com/tiplv>



last modified:

11.03.2015