



Handle Series FG12-LH

Compact functional handle with a three-coloured illuminatable handle ledge. The LED colours red, yellow and green can be used to display the current operating status of the machine for example.

Material and surface:

Handle shanks made of polyamide PA 6, black with a fine structure.
Handle ledge made of extruded oval-profiled aluminium AlMgSi 0.5; glass ball blasted and anodized in natural colour.
Illuminatable plastic insert made of translucent PMMA.

Function elements:

One push button, as a change-over contact.

Connection:

5 m connection cable leading out of the mounting surface of the handle shank.
Version with an 8-pole connector on request.

Protection class:

IP 65.

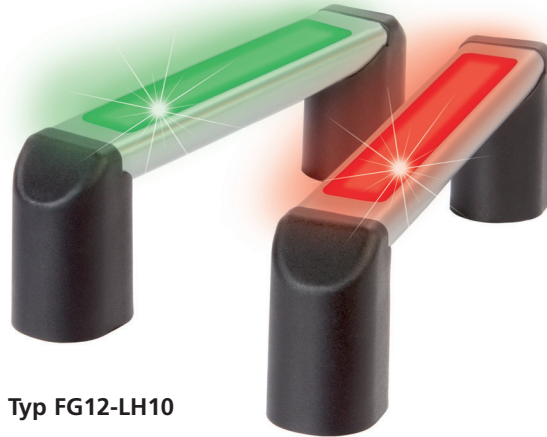
Note:

Other handle lengths and switching element assignments, as well as white handle ledge lighting on request.



VM-02

Counter-handle without any electrical funktion elements, see page 35.



Typ FG12-LH10



Typ FG12-LH11

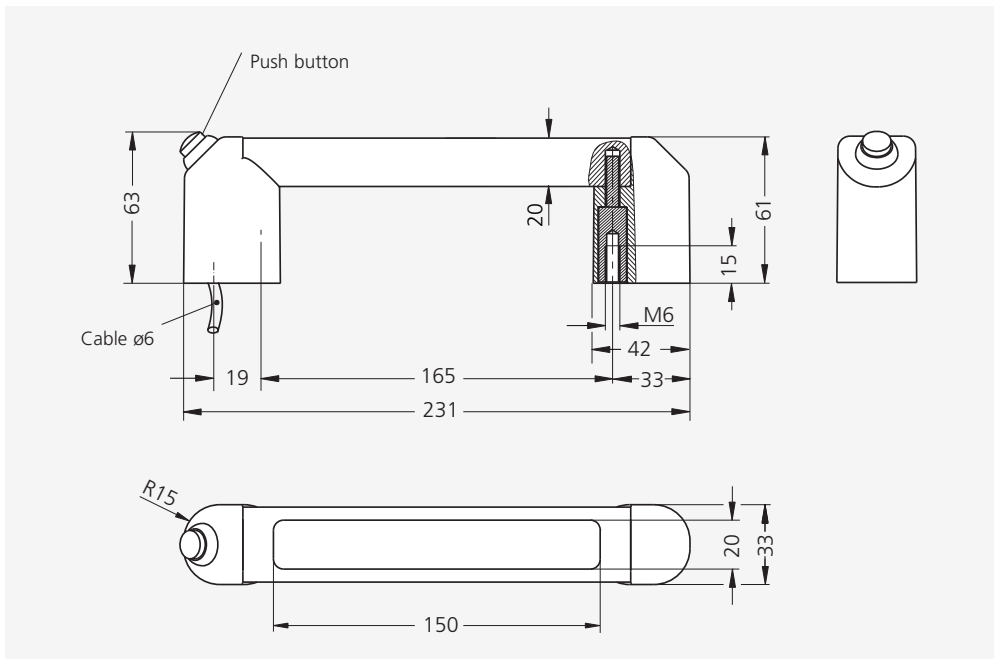
Connection



Typ		FG12-LH10	FG12-LH11
		without push button, with LED-illumination	with push button and with LED-illumination
A*	L	Order no.	Order no.
165	232	FG12-LH10.165.11	FG12-LH11.165.11

* Other handle lengths on request




Technical data

	FG12-LH10	FG12-LH11
Typ	without push button	with push button
Push button (1 change-over contact)	without	
LED board		
Push button	-	24 V AC/DC max. 1 A
Operating voltage LED	24 V DC (12 V DC optional)	
Connection type	cable 8-pole	
Mounting cutout		

All dimensions in mm.

