

Product information

26 27 200

Snipe Nose Side Cutting Pliers (Stork Beak Pliers)

DIN ISO 5745 IEC 60900 DIN EN 60900

- Elastic tips: dimensionally stable even when twisted
- Distortion-tolerant, elastic precision tips
- Half-round, long, tapered jaws
- With cutting edges for soft, medium-hard and hard wire
- Cutting edges additionally induction-hardened, cutting edge hardness approx. 61 HRC
- 40° angled jaws
- Vanadium electric steel, forged, multi stage oil-hardened



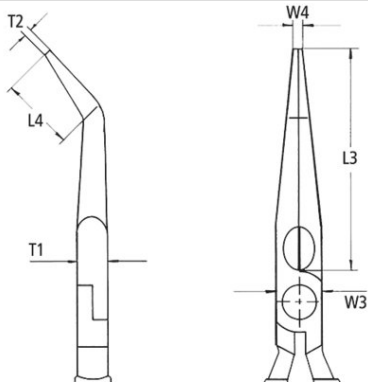
General

| | |
|-----------------|-------------------------------------|
| Article No. | 26 27 200 |
| EAN | 4003773016090 |
| Pliers | chrome-plated |
| Head | chrome-plated |
| Handles | with dipped insulation, VDE-tested |
| Weight | 220 g |
| Dimensions | 200 x 59 x 28 mm |
| Standard | DIN ISO 5745 DIN EN 60900 IEC 60900 |
| REACH compliant | does not contain SVHC |
| RoHS compliant | not applicable |

Technical details

| | |
|--|----------|
| Cutting capacities medium hard wire (diameter) | Ø 3.2 mm |
| Cutting capacities hard wire (diameter) | Ø 2.2 mm |
| Jaw thickness (joint) (T1) | 9.5 mm |
| Tips width (W4) | 3.0 mm |
| Tips thickness (T2) | 2.5 mm |
| Gripping surface length (L4) | 23.0 mm |
| Jaw length (L3) | 73.0 mm |
| Head width (W3) | 18 mm |
| VDE tested | yes |

Technical details



technical change and errors excepted