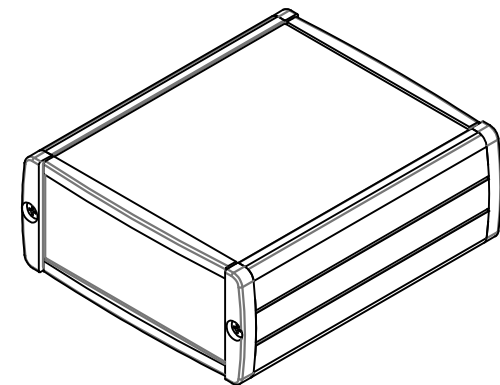
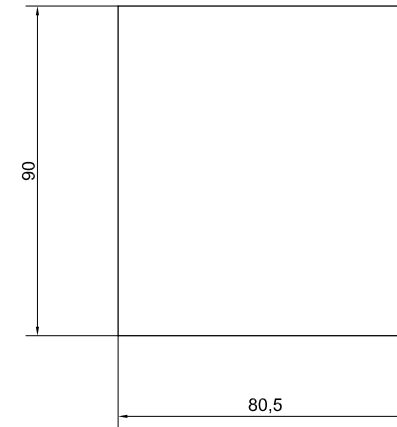


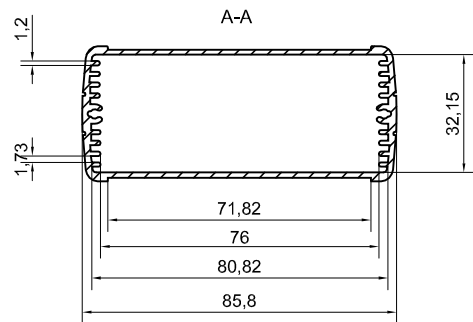
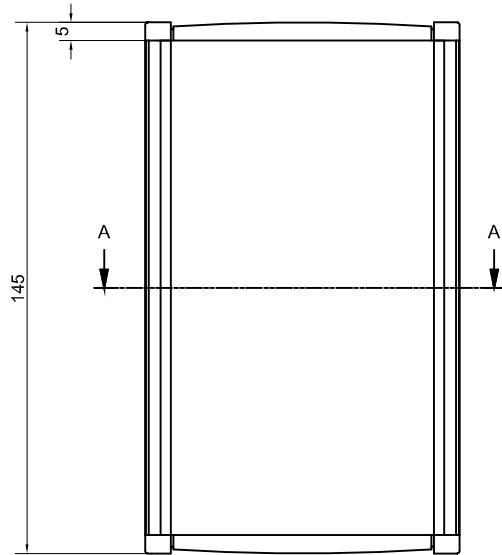
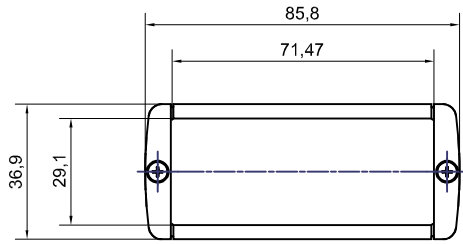


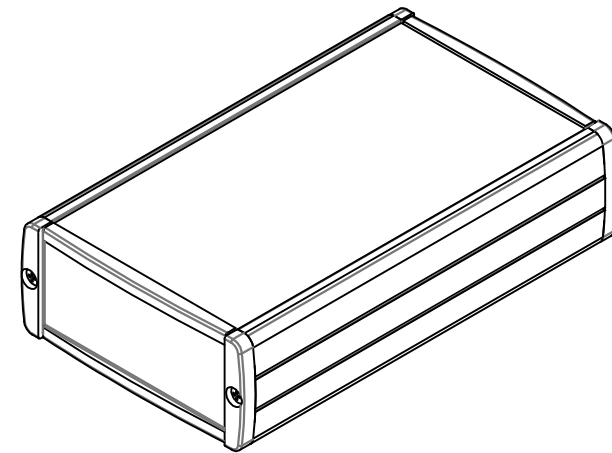
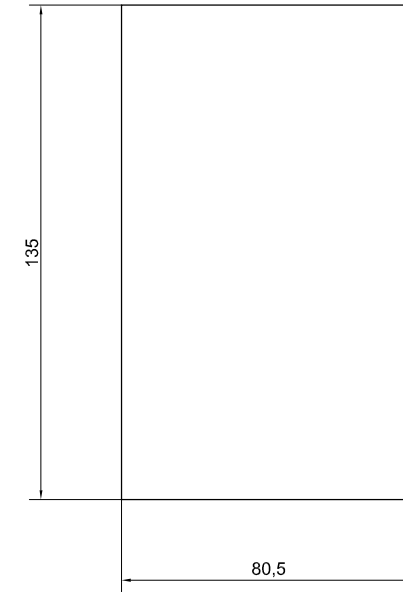
MAXIMUM PCB SIZE





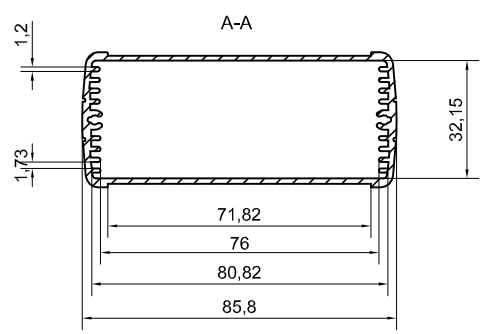
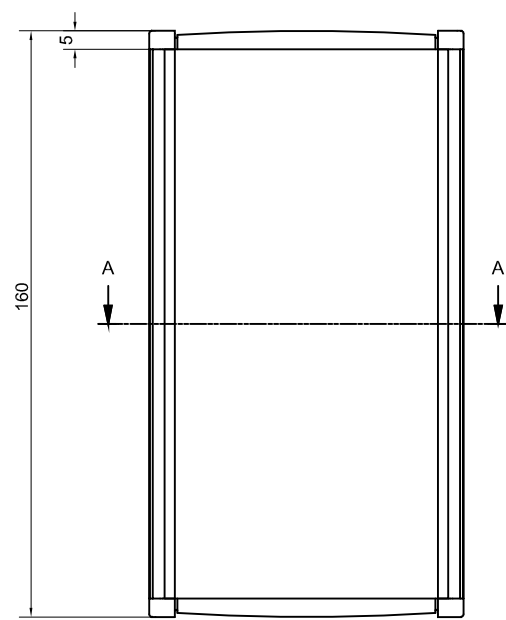
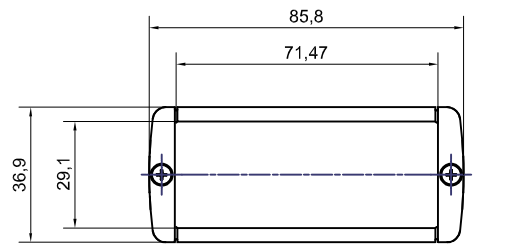
 <b>ENCLOSURES</b>	Denomination <b>Assembly TEKAL 21</b>	Part Number <b>TEKAL-21</b>	
	Subject to technical modification without prior notice. Tipographical and other errors do not justify any claim for damages. All dimensions should be verified using an actual moulded part.		Rev. Index <b>1:1</b>
	This document contains proprietary information of <b>TEKO S.p.A.</b> and is tendered subject to the conditions that the information be retained in confidence not be reproduced or copied and not be used or incorporated in any product.		Date <b>27/04/2005</b> Format design <b>A2</b>



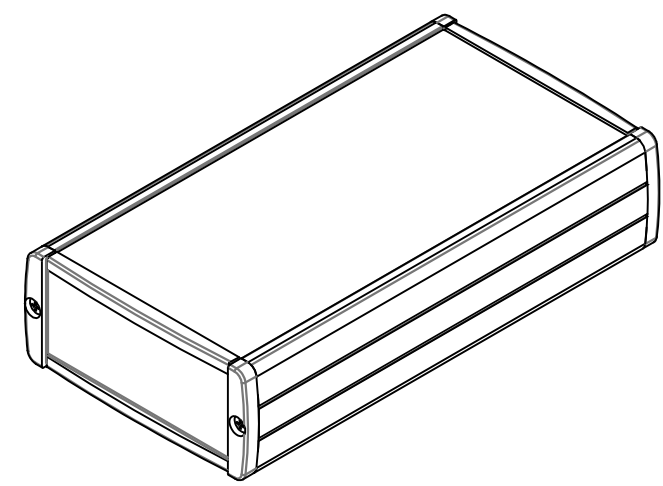
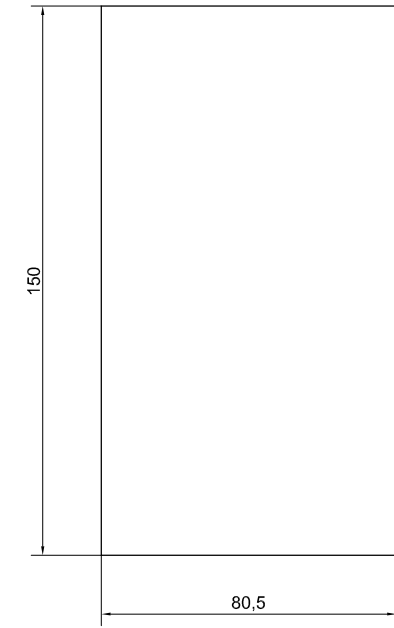
MAXIMUM PCB SIZE


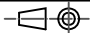


 <b>ENCLOSURES</b>	Denomination <b>Assembly TEKAL 22</b>	Part Number <b>TEKAL-22</b>	
	Subject to technical modification without prior notice. Tipographical and other errors do not justify any claim for damages. All dimensions should be verified using an actual moulded part.		Rev. Index <b>1:1</b>
	This document contains proprietary information of <b>TEKO S.p.A.</b> , and is tendered subject to the conditions that the information be retained in confidence not be reproduced or copied and not be used or incorporated in any product.		Date <b>27/04/2005</b> Format design <b>A2</b>



MAXIMUM PCB SIZE



 <b>ENCLOSURES</b>	Denomination <b>Assembly TEKAL 23</b>	Part Number <b>TEKAL-23</b>	
	Subject to technical modification without prior notice. Tipographical and other errors do not justify any claim for damages. All dimensions should be verified using an actual moulded part.		Rev. Index <b>1:1</b>
	This document contains proprietary information of <b>TEKO S.p.A.</b> and is tendered subject to the conditions that the information be retained in confidence not be reproduced or copied and not be used or incorporated in any product.		Date <b>27/04/2005</b>
			Format design <b>A2</b>