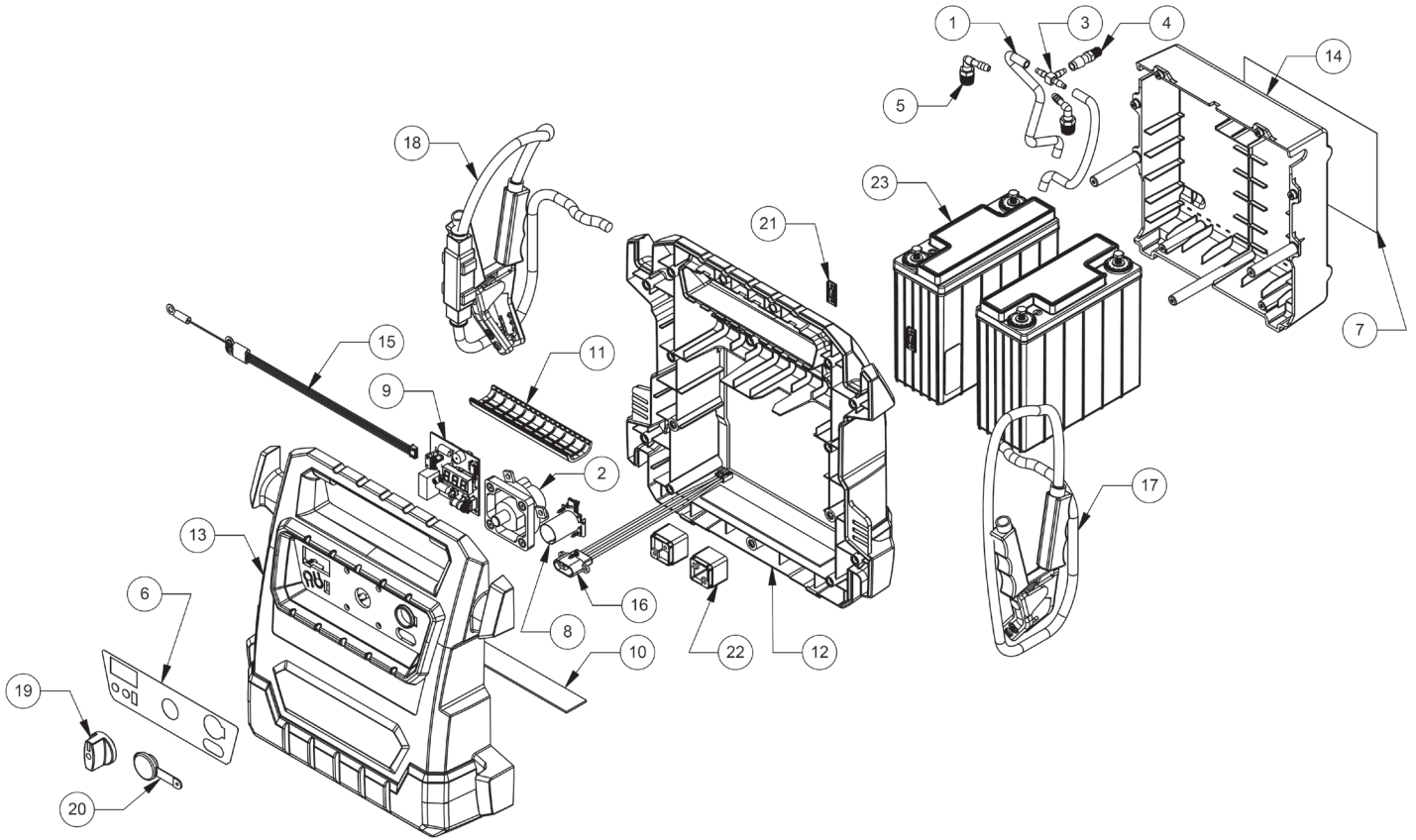




Parts Information:
RoadStart® Emergency Jump Starter 12/24V
2940 Peak Amps - DEKRA Approved
Model No: PBI4424GS



Item	Part No.	Description
1	PBI4424GS.01	TUBING, CLEAR PLASTIC
2	PBI4424GS.02	SWITCH 12/24V
3	PBI4424GS.03	T-CONNECTOR
4	PBI4424GS.04	STRAIGHT FITTING
5	PBI4424GS.05	CONNECTOR, ELBOW
6	PBI4424GS.06	LABEL, FRONT CASE (FOR PBI4424GS)
7	PBI4424GS.07	LABEL, WARNING (FOR PBI4424GS)
8	PBI4424GS.08	DC ADAPTOR ASS'Y
9	PBI4424GS.09	ASS'Y, PCB CONTROL BOARD
10	PBI4424GS.10	TAPE (180x30x2mm)
11	PBI4424GS.11	COVER, HANDLE INSERT
12	PBI4424GS.12	BACK CASE (BLACK)

Item	Part No.	Description
13	PBI4424GS.14	BACK CASE COVER (BLACK)
15	PBI4424GS.15	HARNESS, HOUSING
16	PBI4424GS.16	PLUG, SAE STYLE 3-PIN
17	PBI4424GS.17	CABLE & CLAMP ASS'Y (NEGATIVE)
18	PBI4424GS.18	CABLE & CLAMP W/FUSE ASS'Y (POSITIVE)
19	PBI4424GS.19	SWITCH KNOB
20	PBI4424GS.20	DC SOCKET COVER
21	PBI4424GS.21	STRAP, STRAIN RELIEF
22	PBI4424GS.22	SUPPORT, BATTERY
23	PBI4424GS.23	BATTERY 22AH 12V-900CA
--	PBI4424GS.AC1	CHARGER PLUG 12V (not shown)
--	RS21224.09	BATTERY CABLE 7.5" (BLK)

NOTE: It is our policy to continually improve products and as such we reserve the right to alter data, specifications and component parts without prior notice.

IMPORTANT: No liability is accepted for incorrect use of product.

WARRANTY: Guarantee is 12 months from purchase date, proof of which will be required for any claim.

Sealey Group, Kempson Way, Suffolk Business Park, Bury St Edmunds, Suffolk. IP32 7AR



01284 757500



01284 703534



sales@sealey.co.uk



www.sealey.co.uk