

5/6 Watt Multi Head Power Supplies



DESCRIPTION

A range of R-TECH 5/6W Interchangeable Multi-head AC/DC Power Adapters.

DISTINCTIVE FEATURES

- Interchangeable AC Heads
- DOE Level VI Efficiency
- Overcurrent Protection
- Short Circuit Protection
- Centre Positive Connection
- 5, 9 12 & 24VDC
- RoHS Compliant
- 1 Year Warranty
- EN62368 Approved
- Cable Length 1.5 Metres

APPLICATIONS

The multi-head design allows use in a variety of countries and is ideal for use with Audio Visual equipment, and Information Technology products that require a 5 or 6W power supply with 2.1x5.5x12mm Centre Positive connector.

5/6W

**5, 9, 12
& 24VDC**

**0.25,
0.50, 0.6
& 1A**

UK

EU

US

AUS

1.5m



ELECTRICAL SPECIFICATION

Output	85-7067	85-7068	85-7069	85-7070
DC Voltage	24VDC	5VDC	9VDC	12VDC
Rated Current	0.25A	1A	0.6A	0.5A
Current Range	0-250mA	0-1A	0-0.6A	0-0.5A
Rated Power	6W	5W	6W	6W
Ripple & Noise	200mVp-p max			
Output Regulation	±5%			
Output Connector	2.1x5. 5x12mm Centre Positive			
Input				
Voltage Range	90-264VAC			
Frequency Range	47-63Hz			
Nominal Voltage Range	100-240VAC			
Nominal Frequency Range	50-60Hz			
Input Current	1.2A Max			
Inrush Current	40A Max			
Standby Power	0.1W Max			
Leakage Current	0.25A Max			
Input Connector	UK, EU, US & AUS AC Heads			



GENERAL SPECIFICATION

Series	Power Supplies
Type	Multi head AC/DC Adapter
RoHS Compliant	Yes
DOE	Level VI Efficiency
Class Rating	Class II Double Insulated



MATERIALS

Case Material	Polycarbonate
Case Colour	Black



CERTIFICATION AND STANDARDS

Safety Standards	UL/CUL 62368-1, GS/TUV EN62368-1, SAA AS/NZ61558.2
EMC Emissions	EN55032, EN55035, FCC Part 15 Class B



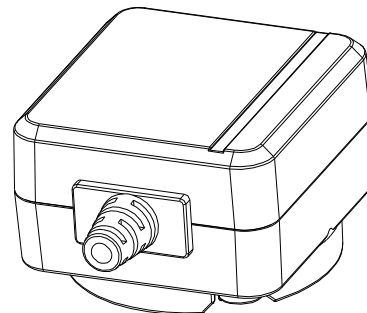
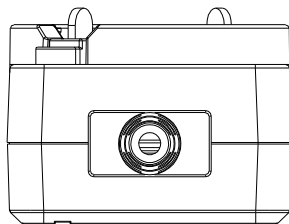
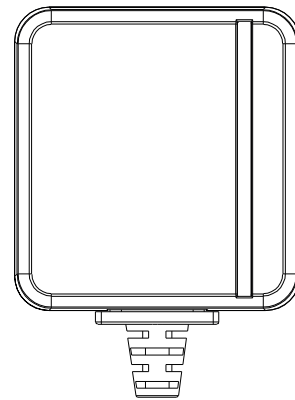
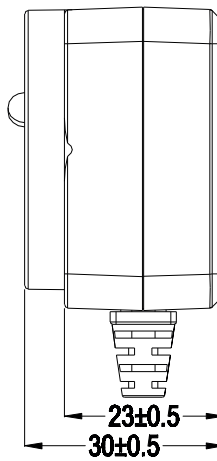
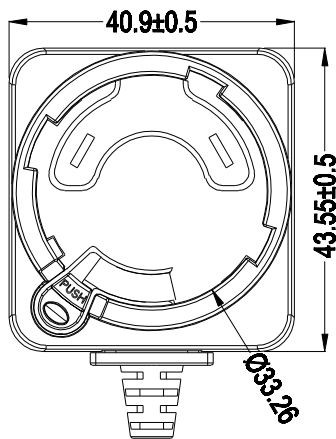
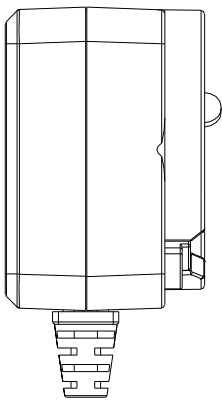
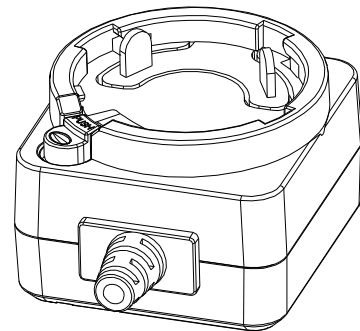
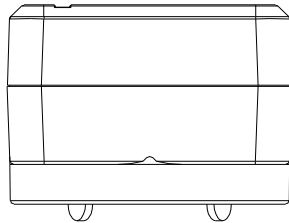
ENVIRONMENTAL/OPERATING SPECIFICATION

Operating Temp	0°C~40°C
Cooling	Convection
Temperature Coefficient	0.05%/°C
Humidity	5~95%RH (non-condensing)
Storage Temperature	-20°C~+80°C
Temperature resistance polycarbonate case	120°C (material meets the requirements of ball pressure test)
Operating Environment	Designed for indoor use only, and not suitable for use in damp or wet conditions

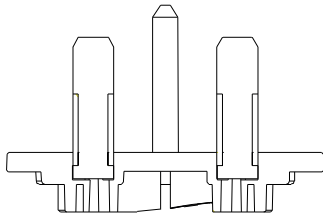
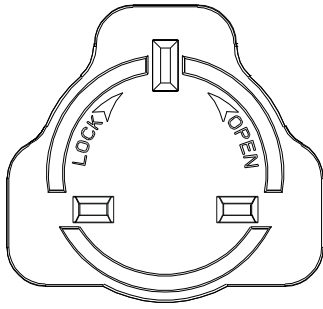


DIMENSIONS/DRAWINGS

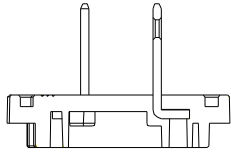
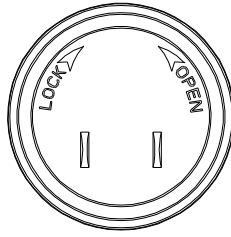
Units	mm - unless stated otherwise
Overall Dimensions	43.55 x 40.9 x 30
Cable Length	1.5m
Weight	100g



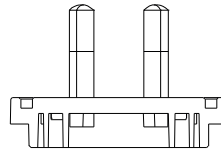
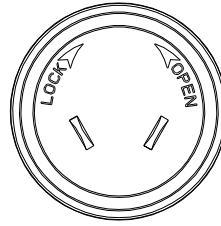
UK AC PLUG



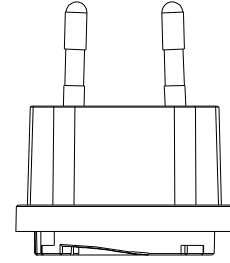
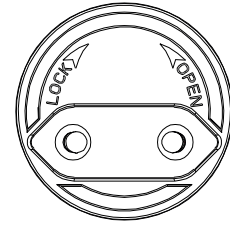
US AC PLUG



AU AC PLUG



EU AC PLUG



OPTIONS (MOQ may apply)

Output voltage

24V versions are available



PART NUMBER TABLE

Part number	DC Voltage	Rated Current	Current Range	Rated Power	UNSPSC	EAN	Country of Origin
85-7067	24VDC	0.25A	0-250mA	6W	39121004	5053556007882	China
85-7068	5VDC	1A	0-1A	5W	39121004	5053556007899	China
85-7069	9VDC	0.6A	0-0.6A	5.94W	39121004	5053556007905	China
85-7070	12VDC	0.5A	0-0.5A	6W	39121004	5053556007912	China

R-TECH

Tried & trusted technology

Important Notice: This data sheet and its contents (the "Information") belong to Rapid Electronics Limited or are licensed to it. No licence is granted for the use of it other than for information purposes in connection with the products to which it relates. No licence of any intellectual property rights is granted. The Information is subject to change without notice and replaces all data sheets previously supplied. The Information supplied is believed to be accurate but Rapid Electronics Limited assumes no responsibility for its accuracy or completeness, any error in or omission from it or for any use made of it. Users of this data sheet should check for themselves the Information and the suitability of the products for their purpose and not make any assumptions based on information included or omitted. Liability for loss or damage resulting from any reliance on the Information or use of it (including liability resulting from negligence or where Rapid Electronics Limited were aware of the possibility of such loss or damage arising) is excluded. This will not operate to limit or restrict Rapid Electronics Limited's liability for death or personal injury resulting from its negligence.