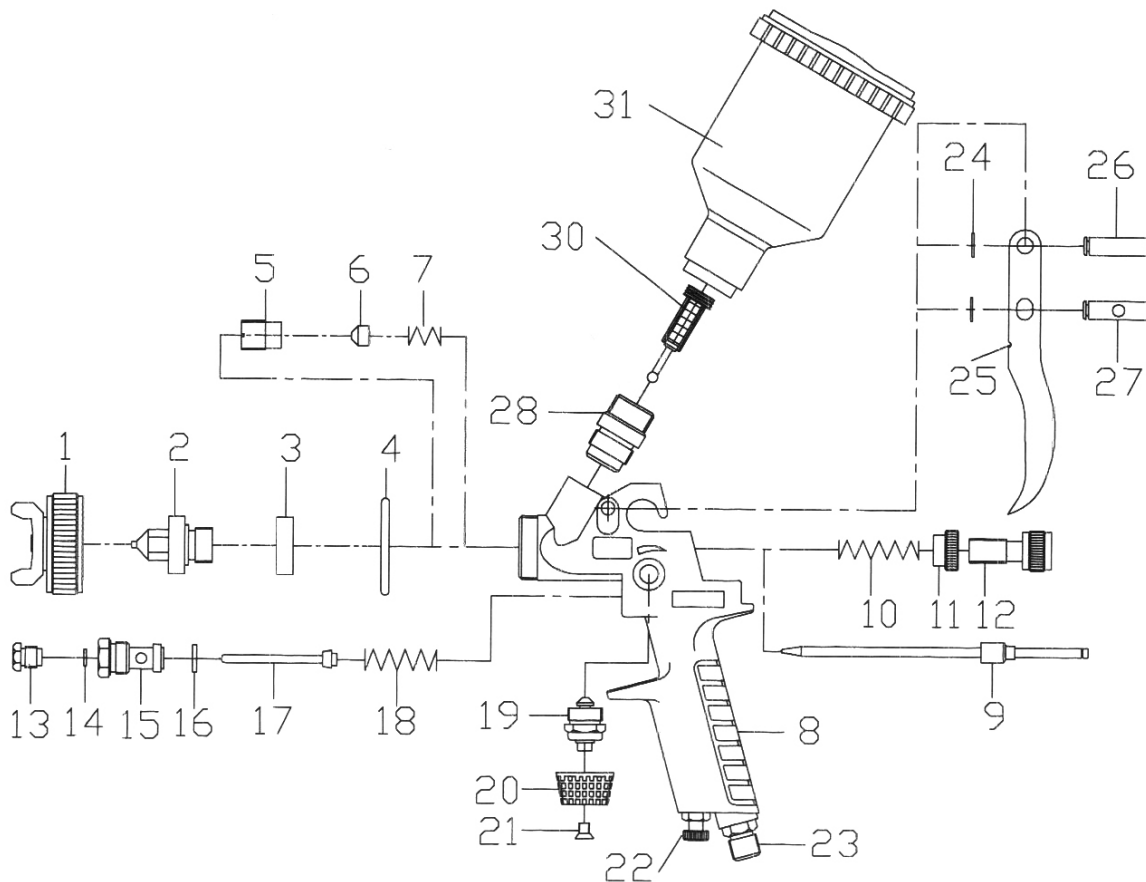




Parts Information:
HVLP Gravity Feed Touch-Up Spray Gun
0.8mm Set-Up
Model No: HVLP731



Item	Part No.	Description
1	HVLP731.01	AIR CAP
2	HVLP731.02	FLUID NOZZLE
3	HVLP731.03	AIR DIVERSION
4	HVLP731.04	AIR CAP GASKE
5	HVLP731.05	NEEDLE PACKING NUT
6	HVLP731.06	NEEDLE PACKING GASKET
7	HVLP731.07	SPRING
8	HVLP731.08	SPRAY GUN BODY
9	HVLP731.09	NEEDLE
10	HVLP731.10	NEEDLE SPRING
11	HVLP731.11	ADJUSTMENT SCREW CAP,NOZZLE
12	HVLP731.12	FLUID ADJUSTMENT SCREW
13	HVLP731.13	AIR VALVE PACKING SCREW
14	HVLP731.14	GASKET
15	HVLP731.15	AIR VALVE SEAT
16	HVLP731.16	AIR VALVE GASKET
17	HVLP731.17	AIR VALVE POLE

Item	Part No.	Description
18	HVLP731.18	AIR VALVE SPRING
19	HVLP731.19	VALVE SEAT,FAN ADJUSTER
20	HVLP731.20	SCREW CAP,FAN ADJUSTER
21	HVLP731.21	PHILLIPS BOLT M3X3.
22	HVLP731.22	AIR ADJUSTMENT SEAT
23	HVLP731.23	AIR JOINT
24	HVLP731.24	STOP RING
25	HVLP731.25	TRIGGER
26	HVLP731.26	TRIGGER PIN
27	HVLP731.27	NEEDLE PIN
28	HVLP731.28	FLUID JOINT
--	HVLP731.29	PAINT CUP GASKET (NOT SHOWN)
30	HVLP731.30	FILTER
31	HVLP731.31	PAINT CUP COMPLETE
--	HVLP731.32	HVLP731 SET-UP 1.0mm (NOT SHOWN)
--	HVLP731.33	O RING (for air valve seat) 3x7 (NOT SHOWN)

NOTE: It is our policy to continually improve products and as such we reserve the right to alter data, specifications and component parts without prior notice.

IMPORTANT: No liability is accepted for incorrect use of product.

WARRANTY: Guarantee is 12 months from purchase date, proof of which will be required for any claim.

Sealey Group, Kempson Way, Suffolk Business Park, Bury St Edmunds, Suffolk. IP32 7AR



01284 757500



01284 703534



sales@sealey.co.uk



www.sealey.co.uk