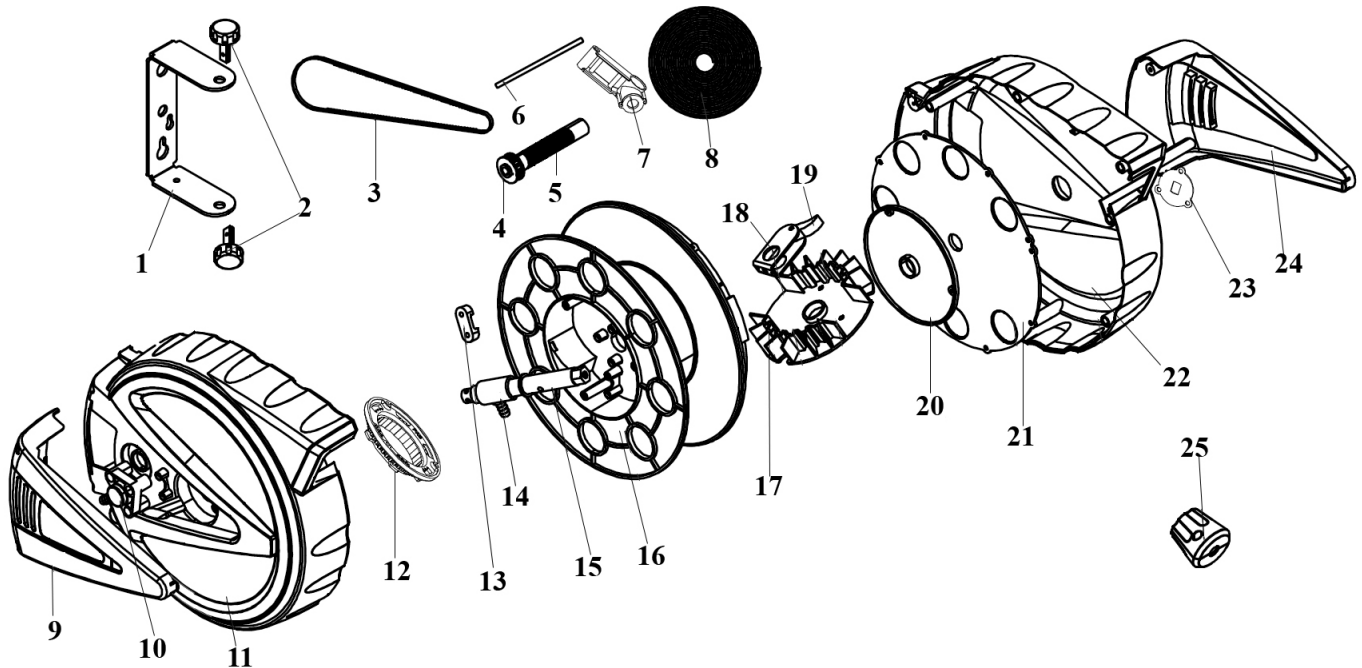


Parts Information:
**Retractable Air Hose Reel 15mtr 8mm ID -
 PU Hose**
Model No: SA814.V2



Item	Part No.	Description
1	SA814.V2-01	WALL BRACKET
2	SA814.V2-02	WALL BRACKET PIN
3	SA814.V2-03	BELT
4	SA814.V2-04	SMALL GEAR
5	SA814.V2-05	SHAFT
6	SA814.V2-06	AXLE
7	SA814.V2-07	RACK ASS'Y
8	SA814.V2-08	SPRING
9	SA814.V2-09	LEFT HAND CASE COVER
10	SA814.V2-10	INLET HOSE CONNECTOR
11	SA814.V2-11	LEFT HAND CASE
12	SA814.V2-12	GEAR PLATE ASS'Y
13	SA814.V2-13	CLIP

Item	Part No.	Description
14	SA814.V2-14	INNER HOSE CONNECTOR
15	SA814.V2-15	MAIN SHAFT
16	SA814.V2-16	DRUM
17	SA814.V2-17	RATCHET
18	SA814.V2-18	RATCHET BRACKET
19	SA814.V2-19	RATCHET PAWL
20	SA814.V2-20	SPRING INNER COVER
21	SA814.V2-21	SPRING OUTER COVER
22	SA814.V2-22	RIGHT HAND CASE
23	SA814.V2-23	TENSION COVER
24	SA814.V2-24	RIGHT HAND COVER
25	SA814.V2-25	STOP BALL

NOTE: It is our policy to continually improve products and as such we reserve the right to alter data, specifications and component parts without prior notice.

IMPORTANT: No liability is accepted for incorrect use of product.

WARRANTY: Guarantee is 12 months from purchase date, proof of which will be required for any claim.