



Main

Range of product	Phaseo Universal
Product or component type	Converter module
Rated power in W	30 W
Input voltage	24...28.8 V DC
Output voltage	5 V DC
Power supply output current	6 A

Complementary

Input voltage limits	22...30 V
Efficiency	80 %
Power dissipation in W	7 W
Input protection type	Against reverse polarity
Output voltage limits	5...6.5 V
Line and load regulation	1...3 %
Residual ripple	<= 100 mV
Output protection type	Against overload, protection technology: automatic reset Against overvoltage, protection technology: tripping if U > 7.8 V, automatic reset Against short-circuits, protection technology: automatic reset
Connections - terminals	For input connection: screw type terminals, connection capacity: 2 x 0.5...2 x 4 mm ² AWG 24...AWG 10 For output connection: screw type terminals, connection capacity: 2 x 0.5...2 x 4 mm ² AWG 24...AWG 10
Fixing mode	By clips on 35 mm symmetrical DIN rail, operating position: horizontal with derating to 40 % By clips on 35 mm symmetrical DIN rail, operating position: vertical
Operating altitude	2000 m
Name of test	Induced electromagnetic field conforming to EN/IEC 61000-4-6 level 3 Radiated electromagnetic field conforming to EN/IEC 61000-4-3 level 3 Rapid transient conforming to IEC 61000-4-4 level 3 Surge conforming to EN/IEC 61000-4-5 level 2 Conducted/Radiated emissions conforming to EN 55022 class B Electrostatic discharges conforming to EN/IEC 61000-4-2 Emission conforming to EN 61000-6-3
Local signalling	1 LED (green) for output voltage (> 4 V)
Net weight	0.3 Kg

The information provided in this documentation contains general descriptions and/or technical characteristics of the performance of the products contained herein. This documentation is not intended as a substitute for and is not to be used for determining suitability or reliability of these products for specific user applications. It is the duty of any such user or integrator to perform the appropriate and complete risk analysis, evaluation and testing of the products with respect to the relevant specific application or use thereof. Neither Schneider Electric Industries SAS nor any of its affiliates or subsidiaries shall be responsible or liable for misuse of the information contained herein.

Environment

IP degree of protection	IP20 conforming to EN/IEC 60529
Ambient air temperature for operation	-25...60 °C
Ambient air temperature for storage	-40...85 °C
Relative humidity	0...90 % during operation 0...95 % during storage
Overvoltage category	Class 3
Vibration resistance	2 gn (f= 11.9...150 Hz) conforming to EN/IEC 61131-2 3.5 mm (f= 3...11.9 Hz) conforming to EN/IEC 61131-2
Dielectric strength	500 V between input and ground 500 V between input and output 500 V between output and ground
Product certifications	EAC CCSAus RCM UL
Environmental characteristic	EMC conforming to EN 50081-1 EMC conforming to EN 61000-6-3 EMC conforming to EN/IEC 61000-6-2 Safety conforming to EN/IEC 60950-1 Safety conforming to IEC 61204

Packing Units

Unit Type of Package 1	PCE
Number of Units in Package 1	1
Package 1 Weight	610.0 G
Package 1 Height	6.5 Cm
Package 1 width	14.5 Cm
Package 1 Length	16.5 Cm
Unit Type of Package 2	S04
Number of Units in Package 2	18
Package 2 Weight	12.268 Kg
Package 2 Height	30.0 Cm
Package 2 width	40.0 Cm
Package 2 Length	60.0 Cm

Offer Sustainability

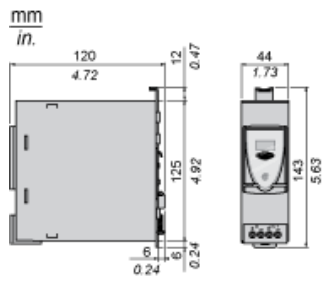
Sustainable offer status	Green Premium product
REACH Regulation	REACH Declaration
REACH free of SVHC	Yes
EU RoHS Directive	Pro-active compliance (Product out of EU RoHS legal scope) EU RoHS Declaration
Mercury free	Yes
RoHS exemption information	Yes
China RoHS Regulation	China RoHS Declaration
Environmental Disclosure	Product Environmental Profile
Circularity Profile	End Of Life Information
PVC free	Yes

Contractual warranty

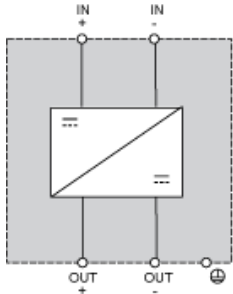
Warranty	18 months
----------	-----------

Converter Module

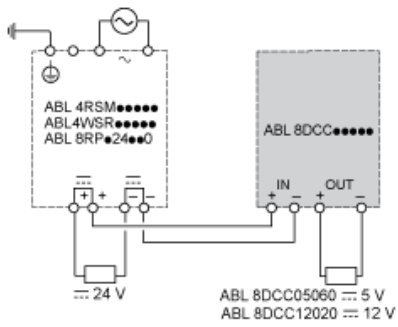
Dimensions



Internal Wiring Diagram



Scheme of Use with ABL4 Power Supplies



Product Life Status : Commercialised