

BLORE BOWRON

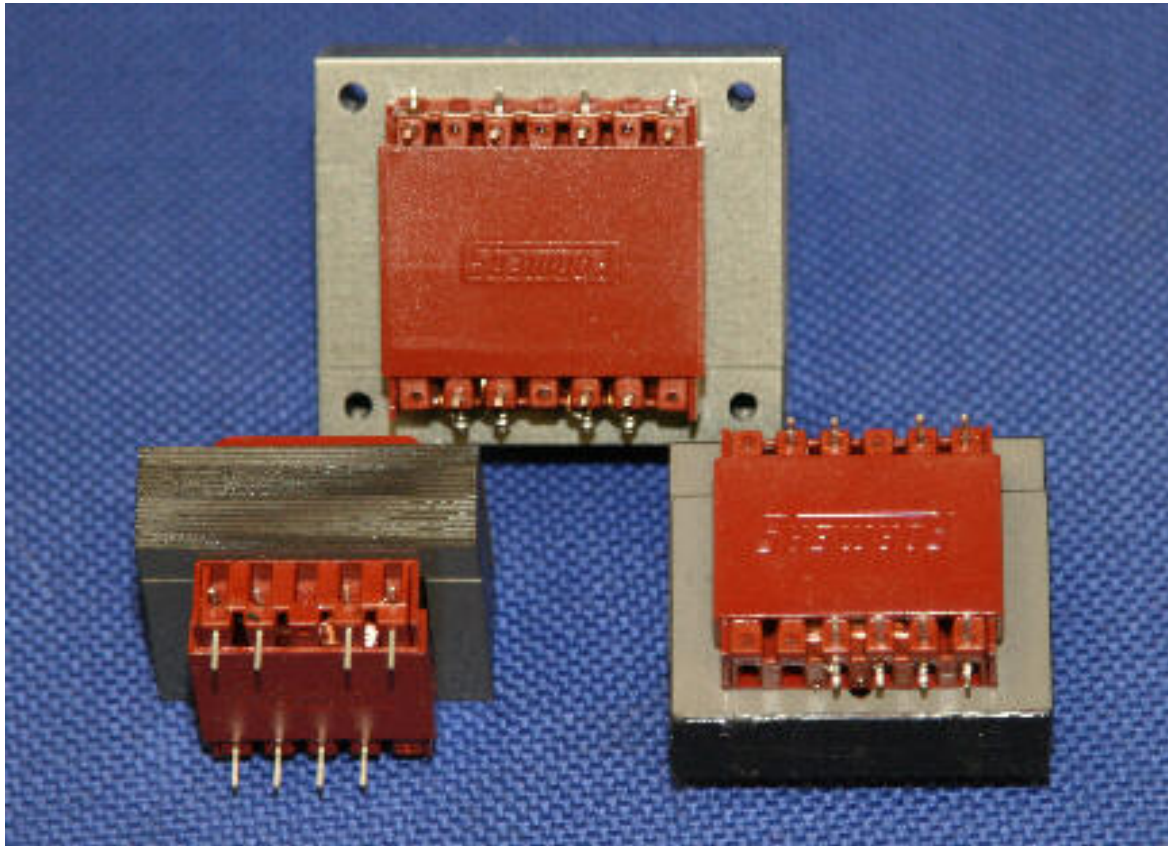
70 Sandford Lane Industrial Estate, Kennington Oxford, OX1 5RP

Tel: +44 (0)1865 736686

Fax: +44 (0)1865 736678

E-mail: Sales@blorebowron.co.uk

PCB Mounting Transformers 3VA to 12VA



A comprehensive range of PCB mounting mains transformer with a choice of single (230v) or dual (115v + 115v) primary windings suitable for 50/60Hz operations and two independent secondary windings suitable for connecting in series, parallel or centre tap, giving a wide range of output voltage and current combinations.

Features:

Designed, manufactured and tested in accordance with EN60905* and EN60742*.

Double section metric bobbins constructed with fully shrouded windings.

Flame retardant material to UL94V-0

* Requires additional fuse protection. Please enquire.



BLORE BOWRON

70 Sandford Lane Industrial Estate, Kennington Oxford, OX1 5RP

Tel: +44 (0)1865 736686

Fax: +44 (0)1865 736678

E-mail: Sales@blorebowron.co.uk

PCB Mounting Transformers 3VA to 12VA

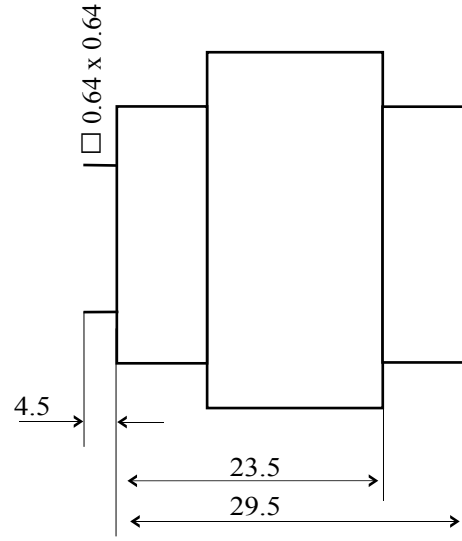
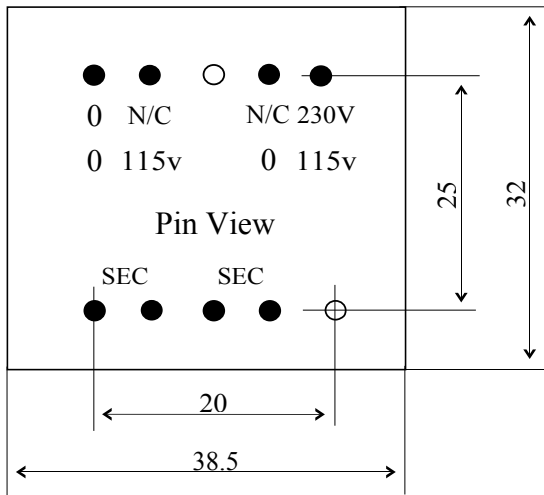
Standard Range

PRIMARY - 230v			PRIMARY 2 X 115v		
VA	Secondary (v)	Part No	VA	Secondary (v)	Part No
3VA	6 + 6	A4001	3VA	6 + 6	A5001
	9 + 9	A4003		9 + 9	A5003
	12 + 12	A4004		12 + 12	A5004
	15 + 15	A4005		15 + 15	A5005
	18 + 18	A4006		18 + 18	A5006
	24 + 24	A4008		24 + 24	A5008
6VA	6 + 6	A4011	6VA	6 + 6	A5011
	9 + 9	A4013		9 + 9	A5013
	12 + 12	A4014		12 + 12	A5014
	15 + 15	A4015		15 + 15	A5015
	18 + 18	A4016		18 + 18	A5016
	24 + 24	A4018		24 + 24	A5018
12VA	6 + 6	A2021	12VA	6 + 6	A3021
	9 + 9	A2023		9 + 9	A3023
	12 + 12	A2024		12 + 12	A3024
	15 + 15	A2025		15 + 15	A3025
	18 + 18	A2026		18 + 18	A3026
	24 + 24	A2028		24 + 24	A3028

PCB Mounting Transformers 3VA to 12VA

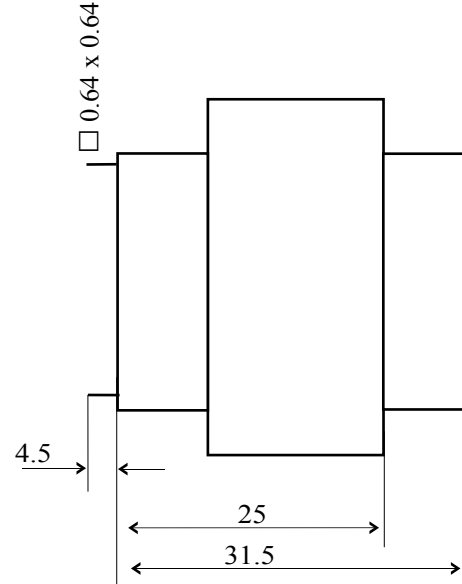
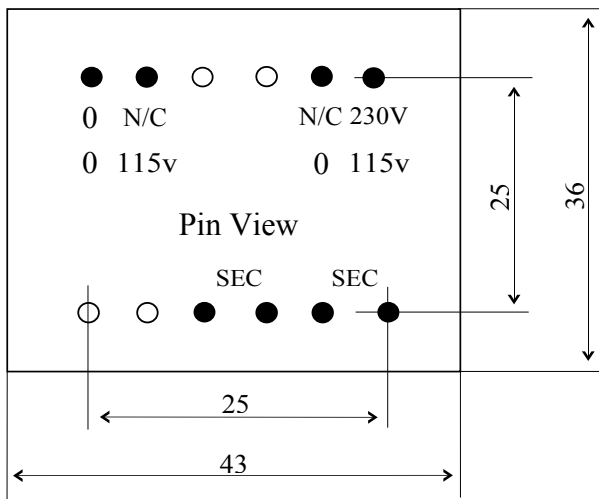
3VA

- Pin Fitted
- Pin Not Fitted



6VA

- Pin Fitted
- Pin Not Fitted



12VA

- Pin Fitted
- Pin Not Fitted

