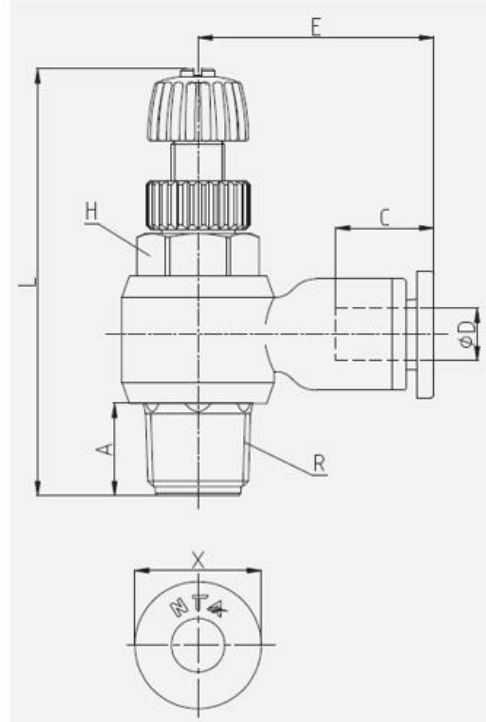


Data Sheet

Speed controller, Male Elbow



- Pressure range: 0 -8 MPa
- Negative pressure: -1 bar (10 Torr)
- Temperature range: 0 – 60 °C

Item no.	Model no.	D	R	A	H	E	C	X	L		Type
									min	max	
2615625	SL4-M5	4	M5	3.5	8	20	14.9	9.9	29	31.9	Control-Out
2615626	SL6-M5	6	M5	3.5	8	21.7	15.4	11.8	29	31.9	Control-Out
2615627	SL6-01	6	R1/8	7.5	10	22.9	15.4	11.8	37.5	44.3	Control-Out
2615628	SL6-02	6	R1/4	11.2	14	24.9	15.4	11.8	43.7	51.3	Control-Out
2615629	SL8-01	8	R1/8	7.5	10	25.3	17.3	13.8	37.5	44.3	Control-Out
2615630	SL8-02	8	R1/4	11.2	14	28.4	18.3	13.8	43.7	51.3	Control-Out
2615631	SL4-M5B	4	M5	3.5	8	20	14.9	9.9	29	31.9	Control-In
2615632	SL6-M5B	6	M5	3.5	8	21.7	15.4	11.8	29	31.9	Control-In
2615633	SL6-01B	6	R1/8	7.5	10	22.9	15.4	11.8	37.5	44.3	Control-In
2615634	SL6-02B	6	R1/4	11.2	14	24.9	15.4	11.8	43.7	51.3	Control-In
2615635	SL8-01B	8	R1/8	7.5	10	25.3	17.3	13.8	37.5	44.3	Control-In
2615636	SL8-02B	8	R1/4	11.2	14	28.4	18.3	13.8	43.7	51.3	Control-In