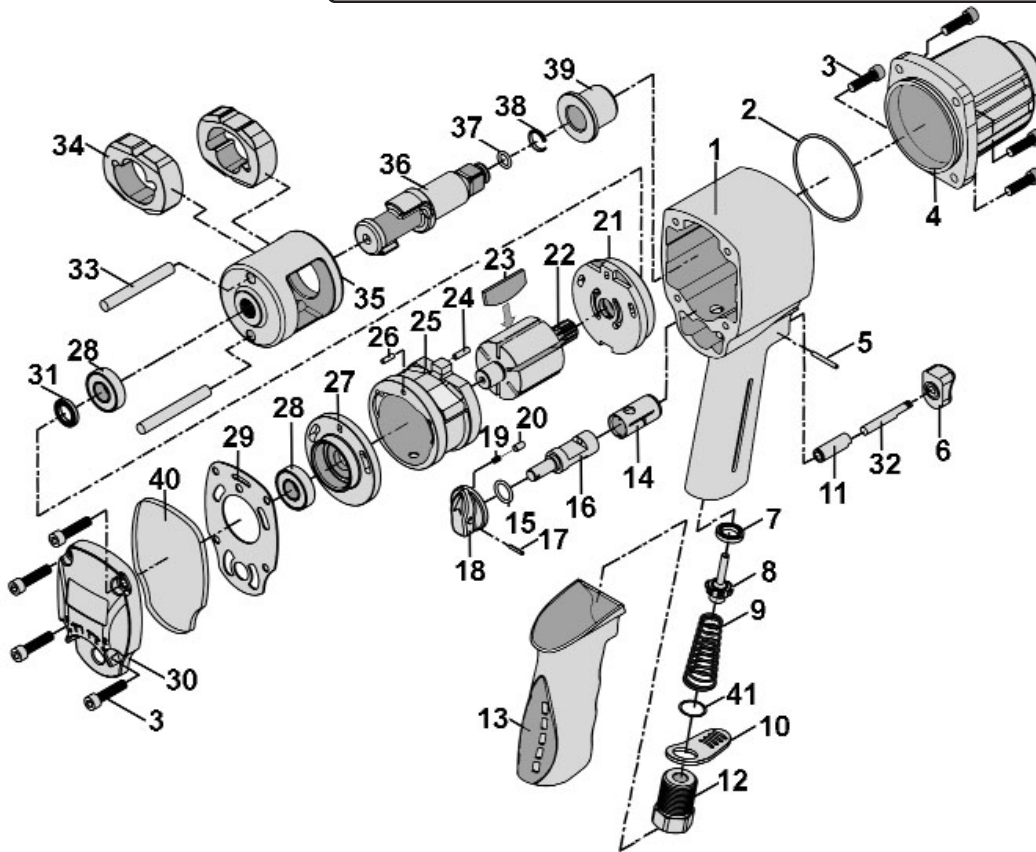




Parts Information:
Air Impact Wrench 1/2" Sq Drive Twin Hammer
Model No: GSA02



Item	Part No.	Description
1	GSA02.01	HOUSING (INCL PARTS GSA02.11+GSA01.14)
2	GSA01.02	O-RING
3	SCB520.SB	SOCKET HEAD CAP SCREW M5x20 BLACK
4	GSA02.04	HAMMER CASE
5	GSA01.05	SPRING PIN
6	GSA01.06	TRIGGER
7	GSA01.08	VALVE SEAT
8	GSA01.09	THROTTLE VALVE
9	GSA01.10	VALVE SPRING
10	GSA01.11	EXHAUST DEFLECTOR
11	GSA02.01	HOUSING (INCL PARTS GSA02.11+GSA01.14)
12	GSA01.12	AIR INLET
13	GSA02.13	PLASTIC GRIP
14	GSA01.14	VALVE BUSHING
15	GSA01.15	WASHER RUBBER M8
16	GSA01.16	SWITCH
17	GSA01.17	PIN
18	GSA01.18	REVERSE KNOB
19	GSA20.07	SPRING
20	GSA20.08	LOCK PIN
21	GSA02.21-N	FRONT END PLATE

Item	Part No.	Description
22	GSA01.22	ROTOR
23	GSA01.23	ROTOR BLADE
24	GSA01.24	FRONT DOWEL PIN
25	GSA01.25	CYLINDER
26	GSA01.26	REAR DOWEL PIN
27	GSA02.27	REAR END PLATE
28	B/6001ZZ	BEARING 6001ZZ
29	GSA01.29	REAR COVER GASKET
30	GSA01.30	REAR COVER
31	GSA01.31	OIL SEAL
32	GSA01.42	TRIGGER SHAFT
33	GSA02.33	HAMMER PIN
34	GSA02.34	HAMMER
35	GSA02.35	HAMMER CAGE
36	GSA02.36	STANDARD ANVIL
37	GSA01.37	O-RING
38	SA3S/18	ANVIL COLLAR 1/2" x 2.0mm
39	GSA02.39	ANVIL BUSHING
40	GSA01.41	REAR COVER COLLAR
41	GSA02.41	O-RING

NOTE: It is our policy to continually improve products and as such we reserve the right to alter data, specifications and component parts without prior notice.

IMPORTANT: No liability is accepted for incorrect use of product.

WARRANTY: Guarantee is 12 months from purchase date, proof of which will be required for any claim.

Sealey Group, Kempson Way, Suffolk Business Park, Bury St Edmunds, Suffolk. IP32 7AR



01284 757500



01284 703534



sales@sealey.co.uk



www.sealey.co.uk