

MICRO SWITCH

FREEPORT ILLINOIS, U.S.A
A DIVISION OF HONEYWELL
FED. MFG. CODE 91929

ACTUATOR - SWITCH

CATALOG LISTING

JS-5

JS-5

M

DRAWING NUMBER

ISSUE

1816

REPLACES

RELEASE NO. SR-1368

CHECK

REVISIONS

| | | |
|---|--------------------|--------------------|
| A | NEW DWG C035725 | D B W 23 JUL 75 |
| B | C038560 | J A L 13 JUN 77 |
| C | C047771 | C J H 17 MAY 80 |
| D | C079303 | DLT 7 MAR 95 |

CHECK

25 JULY 75

CHECK

25 JULY 75

CHECK

25 JULY 75

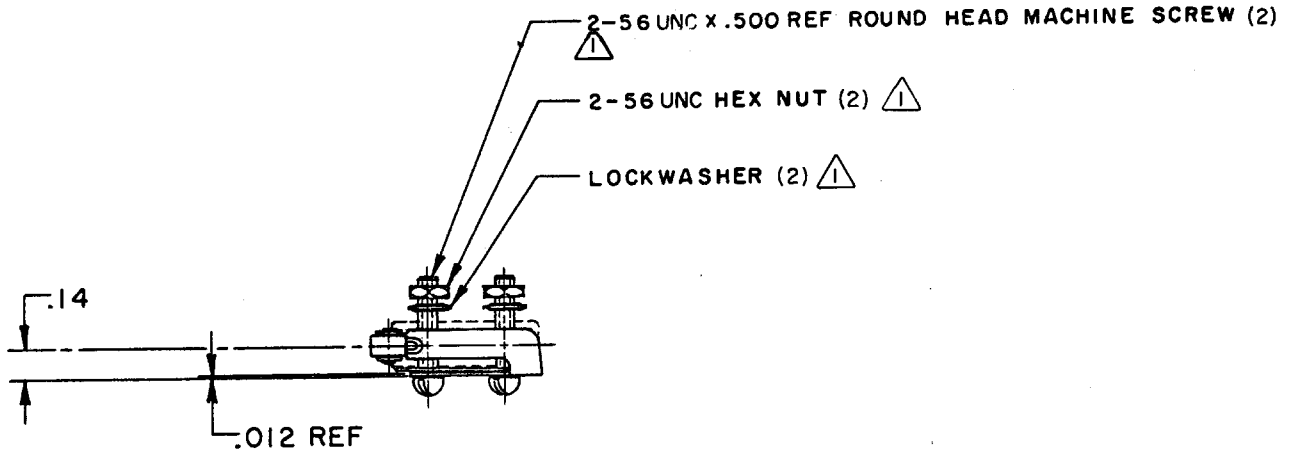
CHECK

25 JULY 75

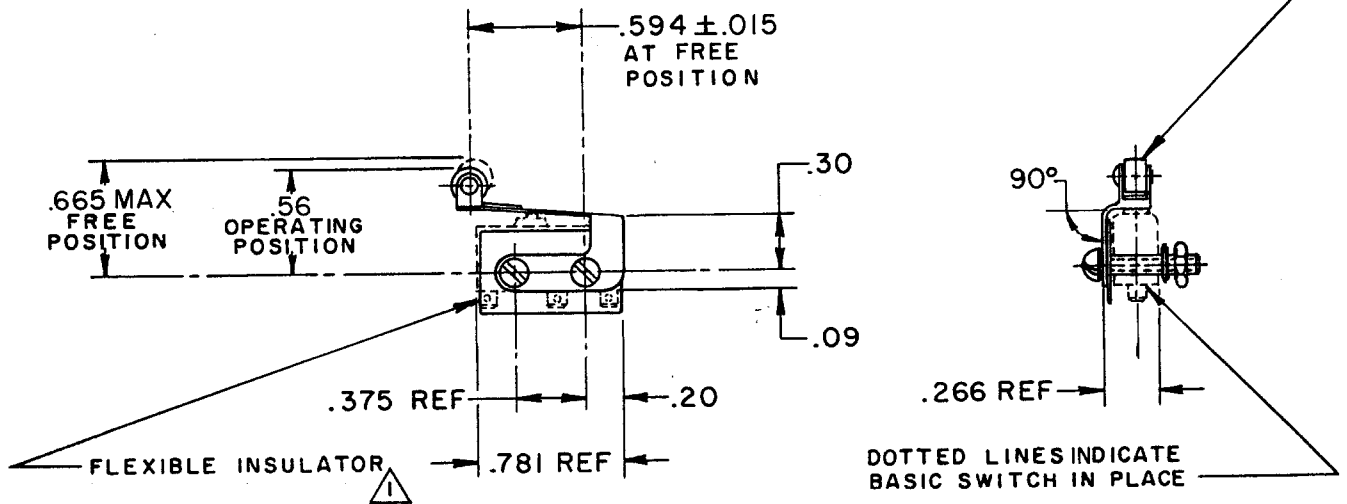
FO-52848-A

DRAWN

D B W23



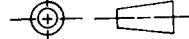
.19 DIA X .12 WIDE OIL BRONZE ROLLER
(CONCENTRICITY .005 T. I. R.)



NOTE -
 \triangle - FURNISHED UNASSEMBLED

THIS DRAWING COVERS A PROPRIETARY ITEM AND IS THE PROPERTY OF MICRO SWITCH, A DIVISION OF HONEYWELL. THIS DRAWING IS NOT TO BE COPIED OR USED WITHOUT THE APPROVAL OF MICRO SWITCH.

THIRD ANGLE PROJECTION



CHARACTERISTICS WITH ISMI SWITCH INSTALLED

OPERATING FORCE ----- 10 OZ MAX

RELEASE FORCE ----- 2 OZ MIN

PRETRAVEL ----- .078 MAX

DIFFERENTIAL TRAVEL ----- .015 MAX

OVERTRAVEL ----- .015 MIN

ELECTRICAL DATA

CONTACT ARRANGEMENT

SCALE FULL

DO NOT SCALE PRINT

TOLERANCES

APPLY TO DESIGN UNITS. CONVERSIONS ARE ONLY FOR REFERENCE. UNLESS NOTED, TOLERANCES ARE \pm

| DIM. | TOL. | DIM. | TOL. | |
|--------------|-------|-----------|-------|-----------|
| mm | mm/in | in | mm/in | |
| NO PLACES | X | 1/.04 | X X | 0.8/.03 |
| ONE PLACE | X.X | 0.4/.018 | X.XX | 0.38/.015 |
| TWO PLACES | X.XX | 0.15/.006 | X.XXX | 0.13/.005 |
| THREE PLACES | X.XXX | | | |
| ANGLES | | | | 2° |

DESIGN UNITS SI METRIC US CUSTOMARY

WEIGHT