

Dot laser, red, 650 nm, 1 mW

LFD650-1-12(9x20)
Order Number: 70103984

Main Parameters (*)	min	typ	max	Unit
Wavelength		650		nm
Optical Diode Power	0.5	1	1	mW
Operating Voltage	3	3	12	V DC
Operating Current	15	25	30	mA
Operating Temperature	-20		40	°C
Storage Temperature	-40		80	°C

Stammdaten

Warranty 1 Jahre

Technical Parameters

Lifetime >3000 h
RoHS yes

Optical Parameters

Beam Shape Dot
Laser Class 2
Divergence H - 1.0 mrad
Beam Diameter 3 mm
Size of Laserdot <4..5mm@5m
Operating Distance 10 m
Optics acryl lense
Laser technology diode
Focus collimated

Electrical Parameters

Potential of Housing VDD(+)
Power Supply LFNT-3

Mechanical Parameters

Size Ø9x20 mm
Material Brass
Cable length 100 mm
Wire type 26AWG, 0,14mm²
Output Aperture 3 mm
Weight 6 g

(*) Over the complete operating temperature range



Features

- Operating Voltage 3-12V DC
- Low cost
- Laser Class 2
- Compact size
- Fixed focus

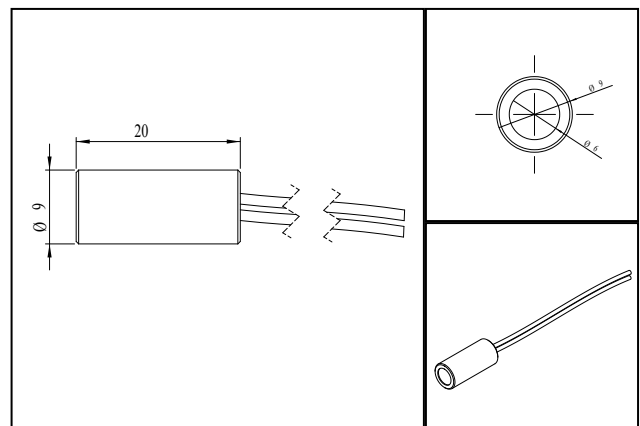
Picture



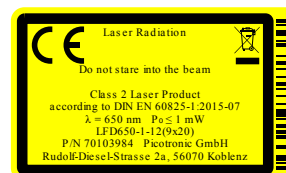
Cable color

Ground		black	GND
positive		red	3 - 12, typ 3 V DC

Drawing



safety label



Valid Revision

REV 22 | 10-DEC-2019