

**Industrial Ethernet
IE-TO-RJ45-C**

Weidmüller Interface GmbH & Co. KG
Klingenbergstraße 16
D-32758 Detmold
Germany
Fon: +49 5231 14-0
Fax: +49 5231 14-292083
www.weidmueller.com



Mounting rail outlet, RJ45 junction design according to IEC 60603-7-51

General ordering data

Order No.	8946920000
Type	IE-TO-RJ45-C
Version	Mounting rail outlet, RJ45, Coupling, IP 20
GTIN (EAN)	4032248734801
Qty.	10 pc(s).

**Industrial Ethernet
IE-TO-RJ45-C**

Weidmüller Interface GmbH & Co. KG
 Klingenbergstraße 16
 D-32758 Detmold
 Germany
 Fon: +49 5231 14-0
 Fax: +49 5231 14-292083
 www.weidmueller.com

Technical data**Dimensions and weights**

Net weight	52.1 g
------------	--------

Temperatures

Operating temperature	-25 °C...+70 °C	Storage temperature	
Installation temperature			

Downloads

Attestation of conformity ISO/IEC EN & TIA/EIA Screened Class E Category 6, 3 connector permanent link	ac107534.pdf	Attestation of conformity ISO/IEC EN & TIA/EIA Screened Class E Category 6, 4 connector channel	ac107533.pdf
Attestation of conformity ISO/IEC EN & TIA/EIA Screened Class EA Category 6A, 2 connector channel	ac107535.pdf	Attestation of conformity ISO/IEC EN & TIA/EIA Screened Class EA Category 6A, 4 connector channel	z1755b-07-D.pdf
PROFINET Manufacturer's Declaration	PN Manufacturer Declaration.pdf		

General data

Category	Cat.6 _A / Class E _A (ISO/IEC 11801 2010)	Colour	Light Grey
Configuration	Switchable voltage connection from module / coupling to mounting rail	Connection 1	RJ45
Connection 2	RJ45	Contact material	Spring steel, Ni 1.2 µm
Contact surface	Au ≥ 0.8 µm	Housing main material	PA UL 94 V0
Humidity	0...93 % rel. humidity	Plugging cycles	750
Protection degree	IP 20	Shock resistance acc. to IEC 60512-4	250 ms ⁻²
Type of mounting	TS 35	Vibration resistance acc. to IEC 60512-4	50 ms ⁻² sinusoidal (9 - 500 Hz)
Wiring	Coupling		

Electrical properties

Contact resistance	≤ 20 mΩ	Current-carrying capacity at 50 °C	1 A
Dielectric strength, contact / contact	≥ 1000 V DC	Dielectric strength, contact / shield	≥ 1500 V DC
Insulation resistance	500 MΩ	PoE / PoE+	conforming to IEEE 802.3af

Standards

Connector standard	IEC 60603-7-51
--------------------	----------------

Classifications

ETIM 3.0	EC000018	UNSPSC	30-21-18-01
eClass 6.0	27-25-05-04	eClass 7.0	27-25-05-04

Data sheet...

**Industrial Ethernet
IE-TO-RJ45-C**

Weidmüller Interface GmbH & Co. KG
Klingenbergstraße 16
D-32758 Detmold
Germany
Fon: +49 5231 14-0
Fax: +49 5231 14-292083
www.weidmueller.com

Technical data

Approvals

Approvals

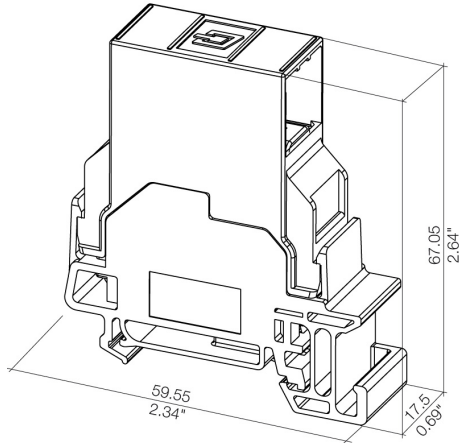


**Industrial Ethernet
IE-TO-RJ45-C**

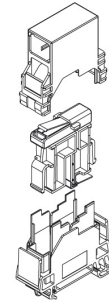
Weidmüller Interface GmbH & Co. KG
Klingenbergstraße 16
D-32758 Detmold
Germany
Fon: +49 5231 14-0
Fax: +49 5231 14-292083
www.weidmueller.com

Drawings

Dimensioned drawing



Drawing



Industrial Ethernet IE-TO-RJ45-C

Weidmüller Interface GmbH & Co. KG
 Klingenbergstraße 16
 D-32758 Detmold
 Germany
 Fon: +49 5231 14-0
 Fax: +49 5231 14-292083
 www.weidmueller.com

Accessories

LM MT



for labelling your cables

Features:

- for use in the laser printer
- made from polyester
- abrasion-resistant

General ordering data

Order No.	Type	Version	GTIN (EAN)	Qty.
1964070000	LM MT DIN A5 9/11 WS	Device markers, Label, 11 x 4032248647156 10 pc(s). 9 mm, Polyester, PVC-free, Colour: White		
1964110000	LM MT DIN A5 9/11 GE	Device markers, Label, 11 x 4032248647194 10 pc(s). 9 mm, Polyester, PVC-free, Colour: Yellow		
1964080000	LM MT DIN A5 9/11 GR	Device markers, Label, 11 x 4032248647163 10 pc(s). 9 mm, Polyester, PVC-free, Colour: Grey		
1964100000	LM MT DIN A5 9/11 BL	Device markers, Label, 11 x 4032248647187 10 pc(s). 9 mm, Polyester, PVC-free, Colour: Blue		
1964090000	LM MT DIN A5 9/11 OR	Device markers, Label, 11 x 4032248647170 10 pc(s). 9 mm, Polyester, PVC-free, Colour: Orange		
1964120000	LM MT DIN A5 9/11 GN	Device markers, Label, 11 x 4032248647200 10 pc(s). 9 mm, Polyester, PVC-free, Colour: Green		

**Industrial Ethernet
IE-T0-RJ45-C**

Weidmüller Interface GmbH & Co. KG
 Klingenbergstraße 16
 D-32758 Detmold
 Germany
 Fon: +49 5231 14-0
 Fax: +49 5231 14-292083
 www.weidmueller.com

Accessories

Blank



ESG is the tried-and-tested marker in the MultiCard format for use on many well-known electrical devices. The result is high-quality device markers with a high-contrast appearance.

Various types are available for the devices of the following manufacturers:

- Siemens
- Télémecanique
- ABB
- Beckhoff
- Lumberg
- All-purpose usage, depending on the type: self-adhesive or clip-on tags

The advantages at a glance:

- Universal usage, self-adhesive or clip-on tags, depending on type
- For sequential equipment, e.g. cable protective circuit-breakers, we supply ESG markers for clipping onto tag rails
- Individual laser quality printing according to specifications

General ordering data

Order No.	Type	GTIN (EAN)	Qty.
1857440000	ESG 9/11 K MC NE WS	4032248402731	200 pc(s).