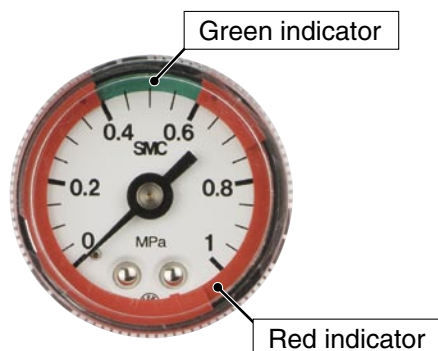
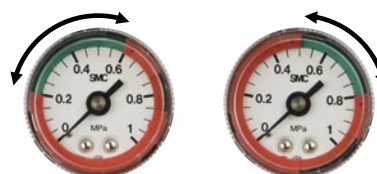


Pressure gauge with limit indicator / Colour zone type Series G36-L, G46-L

■ Red and green zones offer improved visibility of pressure control range.



The indicator adjusts to highlight preferred range



Standard Specifications

Model		G36-L	G46-L
Type		Back side thread	
Connection thread <small>Note 1)</small>		R1/8	R1/8, R1/4
Fluid <small>Note 2)</small>		Air	
Indication precision		± 3% F.S. (Full span) <small>Note 3)</small>	
Material	Case (Surface treatment)	Rolled steel plate (Black melamine coating)	
	Clear cover	Polycarbonate (Part no.: G36-00-00-3) Nylon (Part no.: G36-00-00-3N)	Polycarbonate (Part no.: G46-00-00-3) Nylon (Part no.: G46-00-00-3N)
	Socket	Brass	
	Bourdon's tube	Brass	
Weight (kg)		0.04	0.05

Note 1) When mounting a pressure gauge, use caution not to tighten excessively. Excessive tightening will cause the product to be damaged.

Use a pipe tape for sealing.

Recommended tightening torque: R1/8: Set between 7 and 9 N·m, R1/4: 12 and 14 N·m respectively.

Note 2) When using other fluids, please consult SMC for compatibility information concerning corrosion etc.

Note 3) At 20°C ±5°C. At any other temperature ±6% F.S.

Model (Standard)

Model	Pressure range <small>Note)</small>		Green zone setting range		Indication unit	Connection thread	Note
	MPa		Min. setting range MPa	Max. setting range MPa			
G36-2-01-L□	0 to 0.2		0.01	0.1	MPa	R1/8	—
G36-4-01-L□	0 to 0.4		0.02	0.2			
G36-10-01-L□	0 to 1.0		0.05	0.5			
G46-2-01 to 02-L□	0 to 0.2		0.01	0.1		R1/8, 1/4	
G46-4-01 to 02-L□	0 to 0.4		0.02	0.2			
G46-10-01 to 02-L□	0 to 1.0		0.05	0.5			

Note) Do not apply more pressure than the max. pressure display. It will be a cause of malfunction.

Model (Made to Order)

Model	Pressure range <small>Note 1)</small>		Green zone setting range		Indication unit	Connection thread	Note
	MPa	psi	Min. setting range MPa (psi)	Max. setting range MPa (psi)			
G36-P2-01-L□-X30	0 to 0.2	0 to 30	0.01 (2)	0.1 (14)	MPa, psi	R1/8	—
G36-P4-01-L□-X30	0 to 0.4	0 to 60	0.02 (4)	0.2 (28)			
G36-P10-01-L□-X30	0 to 1.0	0 to 150	0.05 (10)	0.5 (70)			
G46-P2-01 to 02-L□-X30	0 to 0.2	0 to 30	0.01 (2)	0.1 (14)		R1/8, 1/4	
G46-P4-01 to 02-L□-X30	0 to 0.4	0 to 60	0.02 (4)	0.2 (28)			
G46-P10-01 to 02-L□-X30	0 to 1.0	0 to 150	0.05 (10)	0.5 (70)			

Note 1) Do not apply more pressure than the max. pressure display. It will be a cause of malfunction.

Note 2) This will no longer be sold for use in Japan after the new Weight and Measure Act is implemented. (Only SI units are used for the Japanese market.)

Series G36-L, G46-L

How to Order

G36 - **10** - **01** - **L** - **□** - **□**

Size

Symbol	Outside diameter
36	ø37.5
46	ø42.5

Maximum display

Symbol	Unit
2	0.2 MPa
4	0.4 MPa
10	1.0 MPa
P2 <small>(Note)</small>	0.2 MPa, 30 psi
P4 <small>(Note)</small>	0.4 MPa, 60 psi
P10 <small>(Note)</small>	1.0 MPa, 150 psi

Note) This symbol must be used with Option "X30".

Made to order specification

Symbol	Specification
—	—
X30 <small>(Note)</small>	With MPa/psi units

Note) This will no longer be sold for use in Japan after the new Weight and Measure Act is implemented. (Only SI units are used for the Japanese market.)

Clear cover material

Symbol	Material
—	Polycarbonate
N	Nylon

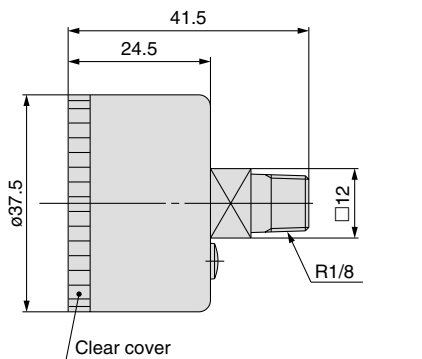
Colour zone type

Connection thread

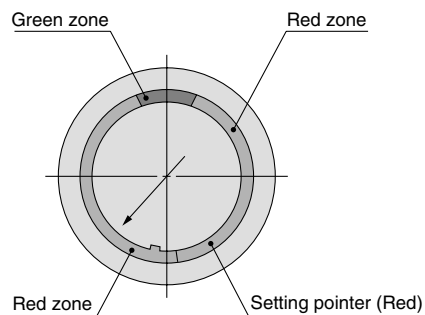
Symbol	Size	Body size	
		G36	G46
01	R1/8	●	●
02	R1/4	—	●

Dimensions

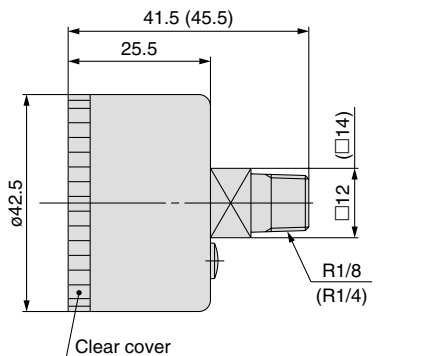
G36



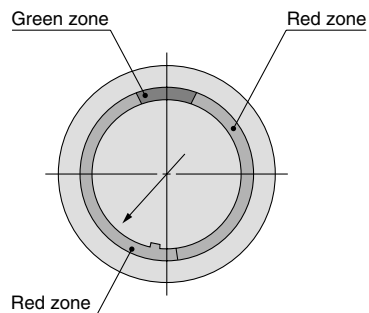
- Polycarbonate part no.: G36-00-00-3
- Nylon part no.: G36-00-00-3N



G46



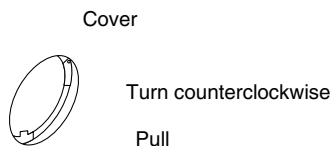
- Polycarbonate part no.: G46-00-00-3
- Nylon part no.: G46-00-00-3N



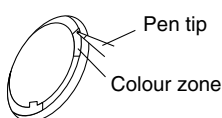
The dimensions in (): Connecting thread

Procedure for Setting the Limit Gauge Indicator / Colour Zone Type

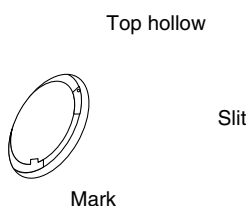
- (1) Before setting the (red) colour zone, turn the cover counterclockwise (approximately 6 to 7 mm) until it stops. Then, remove by pulling it towards you.



- (2) Use a pen tip to set the (red) colour zone indicator. Be careful not to bend the other needle or damage the dial plate.



- (3) After completing the setting, replace the cover. Fit the cover by aligning the cutout in the cover to the groove on the top of the black case. Turn the cover clockwise (approximately 6 to 7 mm) until it stops. Make sure that the matching mark on the cover is aligned with the groove on the top of the case.



⚠ Precautions

Be sure to read before handling.
Refer to Precautions for Handling Pneumatic Devices (M-03-E3A) for Safety Instructions and Common Precautions.

Selection

⚠ Caution

1. Make sure that no direct impact or vibrations are applied to the body.
2. If operating under pressure pulsations or under high frequency operations, please contact SMC.

Mounting

⚠ Caution

1. During transport and installation, do not apply shock to the product, such as dropping. Doing so will affect its precision.
2. Regarding the installation posture, place it perpendicular to the ground, with the zero point on the reading of the pressure gauge facing down.
3. Do not install it in areas that are exposed to high temperatures or humidity, because doing so will lead to improper operation.
4. To screw in the pressure gauge, make sure to turn the gauge by placing a wrench over the square wrench flats.

If the pressure gauge is screwed in by holding it on some other area, air leakage or damage may result.



EUROPEAN SUBSIDIARIES:



Austria

SMC Pneumatik GmbH (Austria).
Girakstrasse 8, A-2100 Korneuburg
Phone: +43 2262-62280, Fax: +43 2262-62285
E-mail: office@smc.at
http://www.smc.at



France

SMC Pneumatique, S.A.
1, Boulevard de Strasbourg, Parc Gustave Eiffel
Bussy Saint Georges F-77607 Marne La Vallée Cedex 3
Phone: +33 (0)1-6476 1000, Fax: +33 (0)1-6476 1010
E-mail: contact@smc-france.fr
http://www.smc-france.fr



Netherlands

SMC Pneumatics BV
De Ruyterkade 120, NL-1011 AB Amsterdam
Phone: +31 (0)20-5318888, Fax: +31 (0)20-5318880
E-mail: info@smcpneumatics.nl
http://www.smcpneumatics.nl



Spain

SMC España, S.A.
Zuazobidea 14, 01015 Vitoria
Phone: +34 945-184 100, Fax: +34 945-184 124
E-mail: post@smc.smces.es
http://www.smc.eu



Belgium

SMC Pneumatics N.V./S.A.
Nijverheidsstraat 20, B-2160 Wommelgem
Phone: +32 (0)3-355-1464, Fax: +32 (0)3-355-1466
E-mail: info@smcpneumatics.be
http://www.smcpneumatics.be



Germany

SMC Pneumatik GmbH
Boschring 13-15, D-63329 Egelsbach
Phone: +49 (0)6103-4020, Fax: +49 (0)6103-402139
E-mail: info@smc-pneumatik.de
http://www.smc-pneumatik.de



Norway

SMC Pneumatics Norway A/S
Vollsveien 13 C, Granfos Næringspark N-1366 Lysaker
Tel: +47 67 12 90 20, Fax: +47 67 12 90 21
E-mail: post@smc-norge.no
http://www.smc-norge.no



Sweden

SMC Pneumatics Sweden AB
Ekhagsvägen 29-31, S-141 71 Huddinge
Phone: +46 (0)8-603 12 00, Fax: +46 (0)8-603 12 90
E-mail: post@smcpneumatics.se
http://www.smc.nu



Bulgaria

SMC Industrial Automation Bulgaria EOOD
Business Park Sofia, Building 8 - 6th floor, BG-1715 Sofia
Phone: +359 2 9744492, Fax: +359 2 9744519
E-mail: office@smc.bg
http://www.smc.bg



Greece

SMC Hellas EPE
Anagenisseos 7-9 - P.C. 14342. N. Philadelphia, Athens
Phone: +30-210-2717265, Fax: +30-210-2717766
E-mail: sales@smchellas.gr
http://www.smchellas.gr



Poland

SMC Industrial Automation Polska Sp.z.o.o.
ul. Poloneza 89, PL-02-826 Warszawa,
Phone: +48 22 211 9600, Fax: +48 22 211 9617
E-mail: office@smc.pl
http://www.smc.pl



Switzerland

SMC Pneumatik AG
Dorfstrasse 7, CH-8484 Weisslingen
Phone: +41 (0)52-396-3131, Fax: +41 (0)52-396-3191
E-mail: info@smc.ch
http://www.smc.ch



Croatia

SMC Industrijska automatika d.o.o.
Cromerec 12, HR-10000 ZAGREB
Phone: +385 1 377 66 74, Fax: +385 1 377 66 74
E-mail: office@smc.hr
http://www.smc.hr



Hungary

SMC Hungary Ipari Automatizálási Kft.
Torbágy út 19, H-2045 Törökbalint
Phone: +36 23 511 390, Fax: +36 23 511 391
E-mail: office@smc.hu
http://www.smc.hu



Portugal

SMC Sucursal Portugal, S.A.
Rua de Engº Ferreira Dias 452, 4100-246 Porto
Phone: +351 226 166 570, Fax: +351 226 166 589
E-mail: postpt@smc.smces.es
http://www.smc.eu



Turkey

Entek Pnömatik San. ve Tic. A*.
Pepra Ticaret Merkezi B Blok Kat:11 No: 1625, TR-34386, Okmeydanı, Istanbul
Phone: +90 (0)212-444-0762, Fax: +90 (0)212-221-1519
E-mail: smc@entek.com.tr
http://www.entek.com.tr



Czech Republic

SMC Industrial Automation CZ s.r.o.
Hudcova 78a, CZ-61200 Brno
Phone: +420 5 414 24611, Fax: +420 5 412 18034
E-mail: office@smc.cz
http://www.smc.cz



Ireland

SMC Pneumatics (Ireland) Ltd.
2002 Citywest Business Campus, Naas Road, Saggart, Co. Dublin
Phone: +353 (0)1-403 9000, Fax: +353 (0)1-464-0500
E-mail: sales@smcpneumatics.ie
http://www.smcpneumatics.ie



Romania

SMC Romania srl
Str Frunzei 29, Sector 2, Bucharest
Phone: +40 213205111, Fax: +40 213261489
E-mail: smcromania@smcromania.ro
http://www.smcromania.ro



UK

SMC Pneumatics (UK) Ltd
Vincent Avenue, Crownhill, Milton Keynes, MK8 0AN
Phone: +44 (0)800 1382930 Fax: +44 (0)1908-555064
E-mail: sales@smcpneumatics.co.uk
http://www.smcpneumatics.co.uk



Denmark

SMC Pneumatik A/S
Knudsminde 4B, DK-8300 Odder
Phone: +45 70252900, Fax: +45 70252901
E-mail: smc@smc-pneumatik.dk
http://www.smc.dk.com



Italy

SMC Italia S.p.A
Via Garibaldi 62, I-20061 Carugate, (Milano)
Phone: +39 (0)2-92711, Fax: +39 (0)2-9271365
E-mail: mailbox@smcitalia.it
http://www.smcitalia.it



Russia

SMC Pneumatik LLC.
4B Sverdlovskaja nab, St. Petersburg 195009
Phone: +7 812 718 5445, Fax: +7 812 718 5449
E-mail: info@smc-pneumatik.ru
http://www.smc-pneumatik.ru



Estonia

SMC Pneumatics Estonia OÜ
Laki 12, 106 21 Tallinn
Phone: +372 6510370, Fax: +372 65110371
E-mail: smc@smcpneumatics.ee
http://www.smcpneumatics.ee



Latvia

SMC Pneumatics Latvia SIA
Smerla 1-705, Riga LV-1006
Phone: +371 781-77-00, Fax: +371 781-77-01
E-mail: info@smclv.lv
http://www.smclv.lv



Slovakia

SMC Priemyselná Automatizácia, s.r.o.
Fatranská 1223, 01301 Teplicka Nad Váhom
Phone: +421 41 3213212 - 6 Fax: +421 41 3213210
E-mail: office@smc.sk
http://www.smc.sk



Finland

SMC Pneumatics Finland Oy
PL72, Tiistiniittyntie 4, SF-02231 ESPOO
Phone: +358 207 513513, Fax: +358 207 513595
E-mail: smcfi@smc.fi
http://www.smc.fi



Lithuania

SMC Pneumatics Lietuva, UAB
Oslo g.1, LT-04123 Vilnius
Phone: +370 5 264 81 26, Fax: +370 5 264 81 26



Slovenia

SMC industrijska Avtomatika d.o.o.
Mirska cesta 7, SI-8210 Trebnje
Phone: +386 7 3885412 Fax: +386 7 3885435
E-mail: office@smc.si
http://www.smc.si



OTHER SUBSIDIARIES WORLDWIDE:

ARGENTINA, AUSTRALIA, BOLIVIA, BRASIL, CANADA, CHILE,
CHINA, HONG KONG, INDIA, INDONESIA, MALAYSIA, MEXICO,
NEW ZEALAND, PHILIPPINES, SINGAPORE, SOUTH KOREA,
TAIWAN, THAILAND, USA, VENEZUELA

<http://www.smc.eu>
<http://www.smcworld.com>