

711 Series

Electromechanical Hour Meter



The Model 711 provides a family of compact 7 figure, AC Hour Meters. Models are available in the standard industry housings, 2- Hole rectangular, flush-round and flush-rectangular. A choice of two rectangular panel cutouts are offered 1.45" X 0.95" [36.8mm X 24.1mm] or 1.45" X 0.87" [36.8mm X 2.1mm]. The Round meter has a panel cutout of 1.99" [50.5mm].

Key Features

- 7 figure, 99999.99
- Various voltage inputs
- Large figures, 0.14" [3.6mm]
- CE Compliant, ROHS
- UL Recognized
- Synchronous Motor
- Options include:
 - Special voltages
 - Terminations
 - Panel cutout

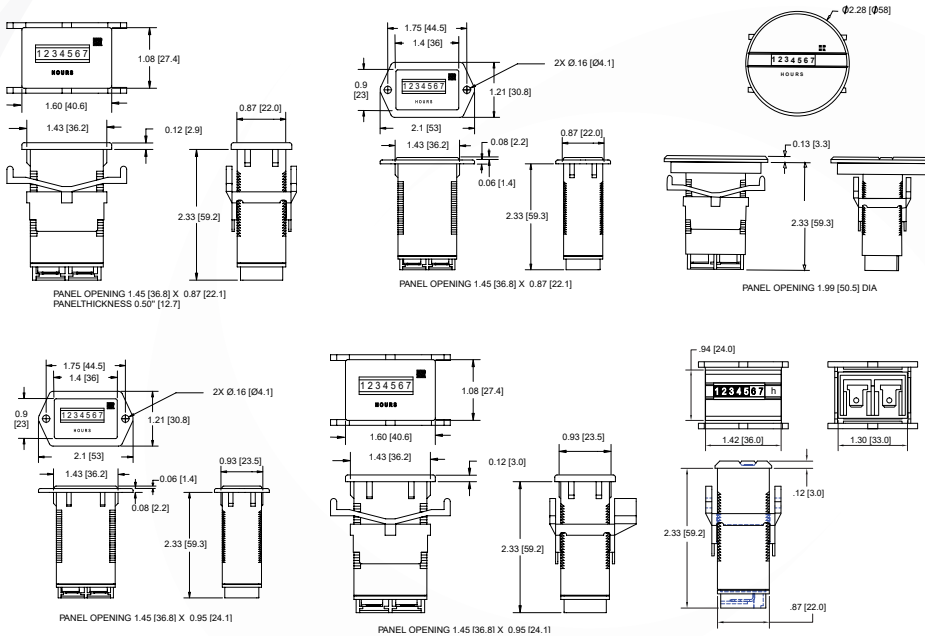
Applications

- Office Equipment
- Test Equipment
- Medical Equipment

Specification

Figures	7 figures, 0.14" [3.6mm] 99999.99
Reset	Non-reset
Voltages	24, 115 or 230VAC ($\pm 10\%$)
Case Material	Black polymer
Weight	1.2oz. [35g]
Power	2 watts AC
Mount	Clip or mounting holes
Terminations	1/4" [6.3mm] spade terminals with screws (AC)
Temp. Range	-22°F to +180°F [-30°C to +82°C]
Storage Temp.	-40°F to +185°F [-40°C to +85°C]
Vibration	1g [10/500Hz] IEC 68-T2-34
Shock	30g [18ms] IEC 68-T2-27 25g [16ms] IEC 68-T2-19
Approvals	CE Compliant, UL Recognized, UKCA

Dimensions



Part Numbers

Models	Voltage AC	Mount	Panel Cut-out			
			1.45 X .87	1.45 X .95	1.99	1.299 x .866
711-0013	115VAC/60Hz	Round			X	
711-0014	230VAC/60Hz	Round			X	
711-0100	230VAC/60Hz	Flush Rect.				X
711-0113	115VAC/60Hz	Flush Rect.	X			
711-0114	24VAC/60Hz	Flush Rect.	X			
711-0120	115VAC/60Hz	Flush Rect		X		
711-0123	230VAC/60Hz	Flush Rect.		X		
711-0130	115VAC/60Hz	2-Hole		X		
711-0131	230VAC/60Hz	2-Hole	X			
711-0132	24VAC/60Hz	2-Hole	X			
711-0133	115VAC/50Hz	2-Hole	X			
711-0138	230VAC/60Hz	Flush Rect.	X			



These 7 figure, AC hour meters with running indicators, offer crisp, distinctive styling for many panel applications. Available in square and round bezel, flush mount, or three-hole round panel mount. Each is light-weight, low power, and carry UL and CE approvals.

Key Features

- 7 figure, 99999.99
- Various voltage inputs
- Distinctive styling
- Synchronous Motor
- Options include:
 - Terminations
 - Din rail
 - VoltagesPanel cutout

Applications

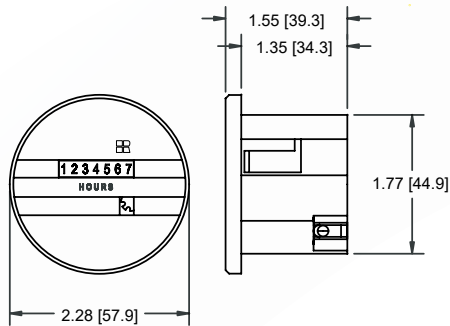
- Office Equipment
- Test Equipment
- Medical Equipment

Specification

Figures	7 figures, 0.14" high [3.6mm], 99,999.99 hours
Reset	Non-reset
Voltages	24, 115, or 230VAC (+/-10%)
Power	3 watts (AC)
Mount	Panel (mounting hardware included)
Terminations	1/4" [6.3mm] spade terminals, with removable screws, or 8" [203mm] wire leads
Front Panel	IP65
Temp. Range	-22°F to +158°F [-30°C to +70°C]
Weight	1.6 oz. [46g]
Approvals	UL Recognized, CE Compliant, ROHS, UKCA

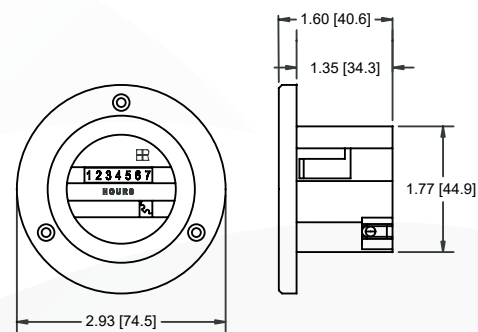
Dimensions

2.28" Dia. Flush



Panel cutout: 1.99" [50] Dia. or 1.81" [46] Sq.

3 - Hole Round

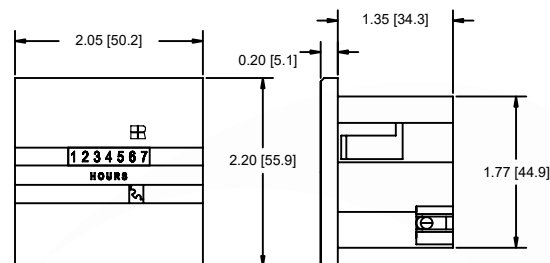


Panel cutout: 1.99" [50] Dia. or 1.81" [46] Sq.

Screws provided: 4-40 x 5/8" [16]

Bolt hole circle: 2.44" [62]

1.89" or 2.05" Square



Panel cutout: 1.99" [50] Dia. or 1.81" [46] Sq.
(for 1.89" Sq. use 1.81" [46] Sq. cutout only)

Part Numbers

711-0150	115VAC/60Hz, 2.28" Dia., Flush mount, screw termination
711-0152	230VAC/60Hz, 2.28" Dia., Flush mount, screw termination
711-0160	115VAC/60Hz, 2.93" Dia., 3-hole round, screw termination
711-0162	230VAC/60Hz, 2.93" Dia., 3-hole round, screw termination
711-0163	230VAC/50Hz, 2.93" Dia., 3-hole round, screw termination
711-0164	24VAC/60Hz, 2.93" Dia., 3-hole round, screw termination
711-0180	115VAC/60Hz, 1.89" Sq., Flush mount, screw termination
711-0182	24VAC/60Hz, 1.89" Sq., Flush mount, screw termination
711-0190	115VAC/60Hz, 2.05" Sq., Flush mount, screw termination
711-0192	24VAC/60Hz, 2.05" Sq., Flush mount, screw termination
711-0193	115VAC/50Hz, 2.05" Sq., Flush mount, screw termination
711-0195	24VAC/50Hz, 2.05" Sq., Flush mount, screw termination



A rectangular style AC hour meter designed to complement existing meters in control panels. Available in 6 figure reset or 7 figure non-reset. The nonreset model incorporates a retaining clip to lock into panel, while the reset version has a metal bracket and screw.

Key Features

- Large figures
- 6 or 7 digits
- CE Compliant, ROHS
- Synchronous Motor
- Options include:
 - Reset or non-reset

Applications

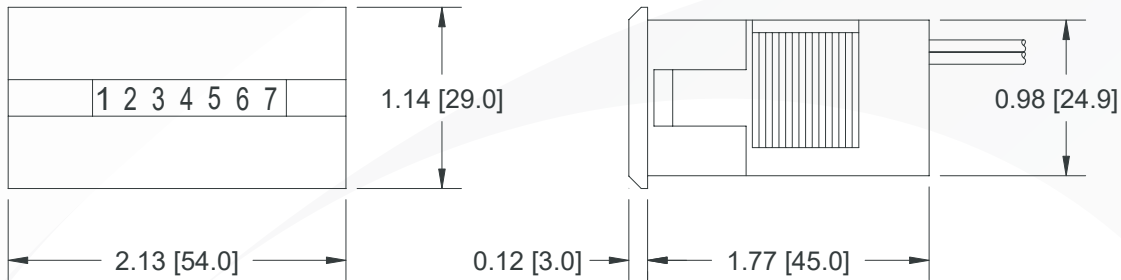
- Office Equipment
- Test Equipment
- Medical Equipment

Specification

Figures	6 figure (reset) or 7 figure (non-reset), 0.19" [5mm] high 9,999.99 hours. (reset version) 99,999.99 hours. (non-reset models)
Reset	Push-button, or non-reset
Voltages	115VAC (+/- 10%), 50 or 60 Hz.
Power	2 watts (nominal)
Mount	Panel (mounting hardware included)
Terminations	19" [483mm] wire leads
Front Panel	IP65
Temp. Range	-4°F to +158°F [-20°C to +70°C]
Weight	2 oz. [57g]
Approvals	CE Compliant, ROHS, UKCA
Options	Voltages

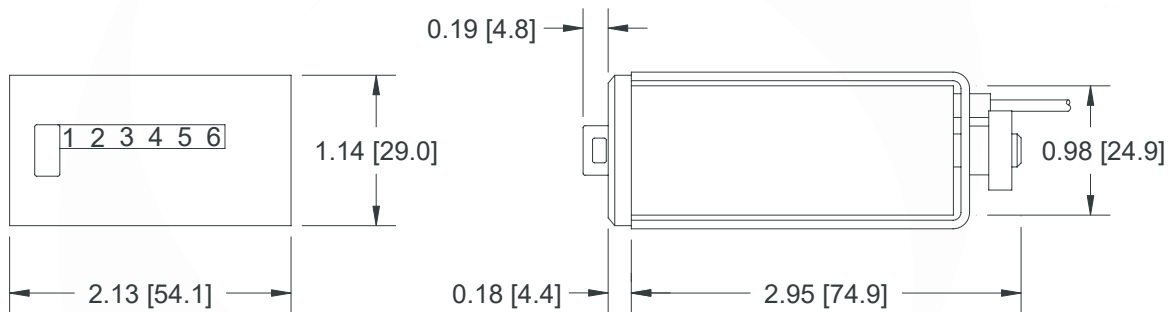
Dimensions

Non-Reset



Panel cutout: 1.98" x 0.99" [50.3 x 25.1]

Reset



Panel cutout: 1.98" x 0.99" [50.3 x 25.1]

Part Numbers

- 711-0019** 115VAC/60Hz, reset, 6 figure, 9,999.99hrs., 19" [483mm] wire leads
- 711-0020** 115VAC/60Hz, non-reset, 7 figure, 99,999.99hrs., 19" [483mm] wire leads
- 711-0041** 115VAC/50Hz, non-reset, 7 figure, 99,999.99hrs., 19" [483mm] wire leads
- 711-0144** 115VAC/50Hz, reset, 6 figure, 9,999.99hrs., 19" [483mm] wire leads

