

Cylindrical Handles • rotating
24530.0040

Product Description

Material



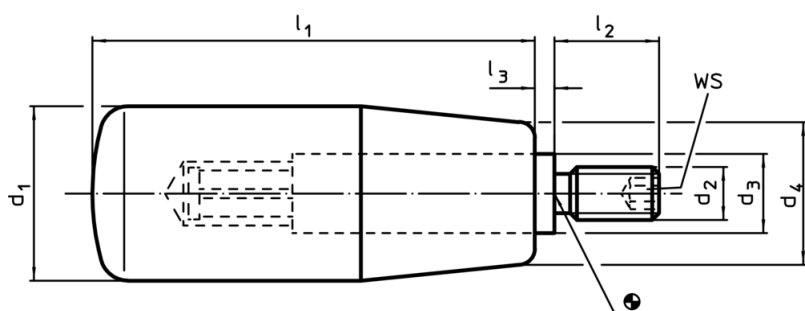
Axle part

- Steel, zinc-plated by galvanization

Cylindrical handle

- Thermosetting plastic PF 31, black

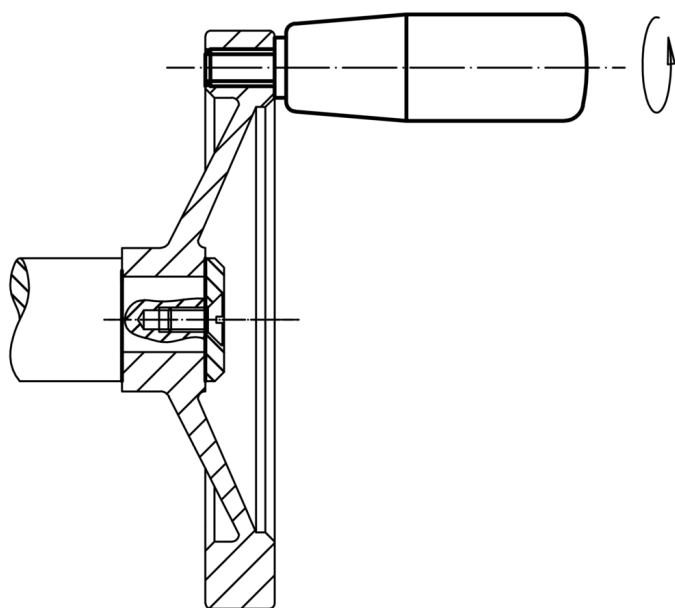
Drawing



Order information

Dimensions							WS	🌡️	🏋️	Art. No.
d ₁	d ₂	d ₃	d ₄	l ₁	l ₂	l ₃		max.		
[mm]							[mm]	[°C]	[g]	
Thermoset, steel										
23	M8	13	19	65	14	2.5	4	110	79	24530.0040

Application example



Compliance

RoHS compliant

Contains lead - compliant according to exceptions 6a / 6b / 6c

Contains SVHC substances >0,1% w/w

Contains lead - SVHC list [REACH] as of 10.06.2022

Contains Proposition 65 substances



Lead can cause cancer and reproductive harm from exposure
<https://www.P65Warnings.ca.gov/>

Free from Conflict Minerals

This product does not contain any substances designated as "conflict minerals" such as tantalum, tin, gold or tungsten from the Democratic Republic of Congo or adjacent countries.