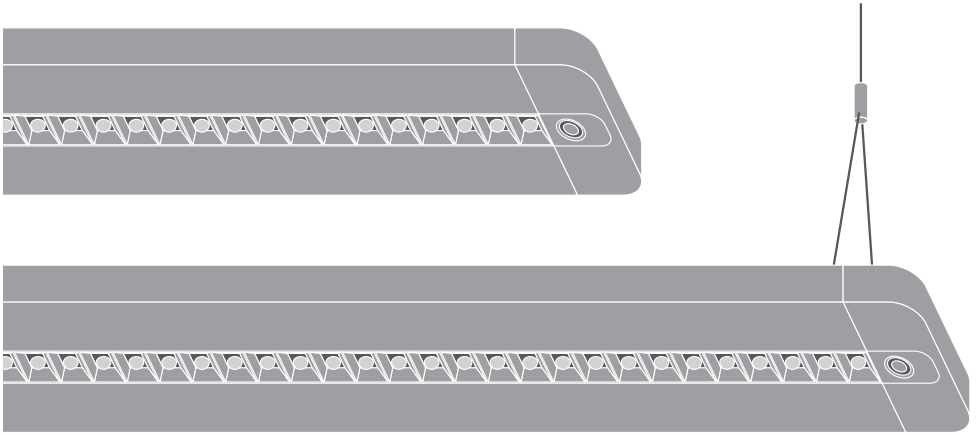


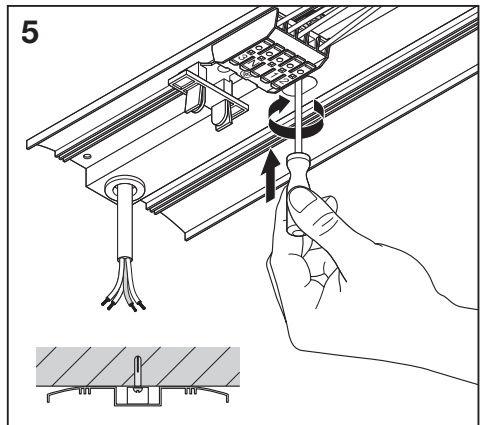
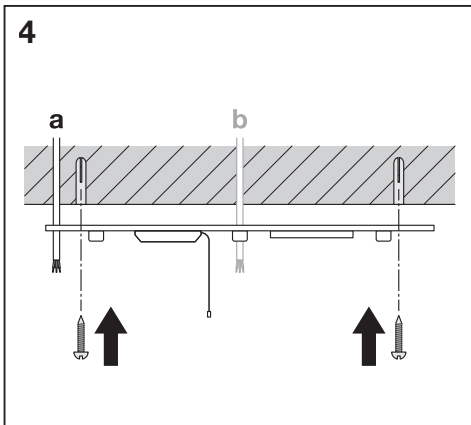
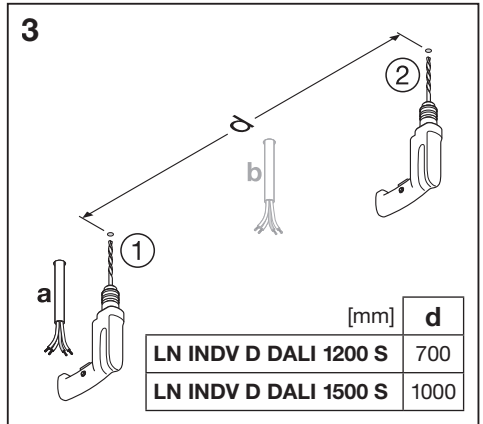
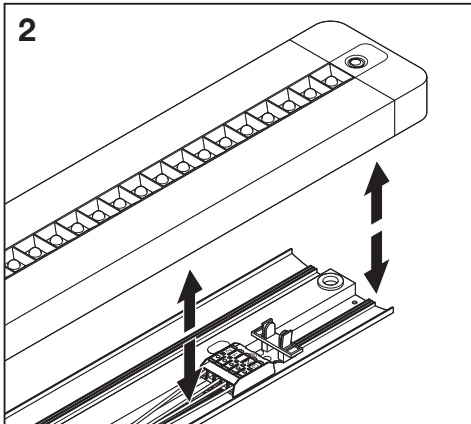
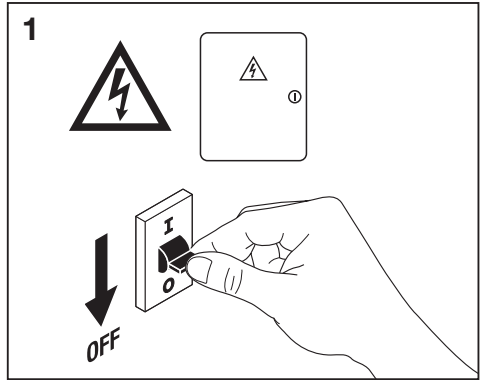
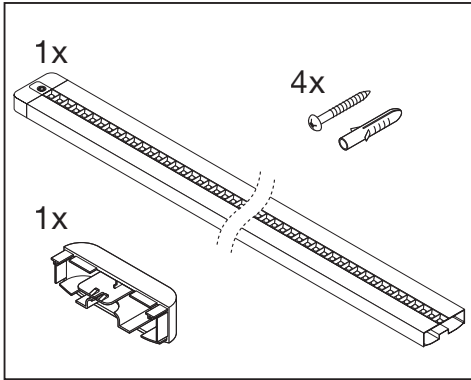
LINEAR IndiviLED® DALI Sensor

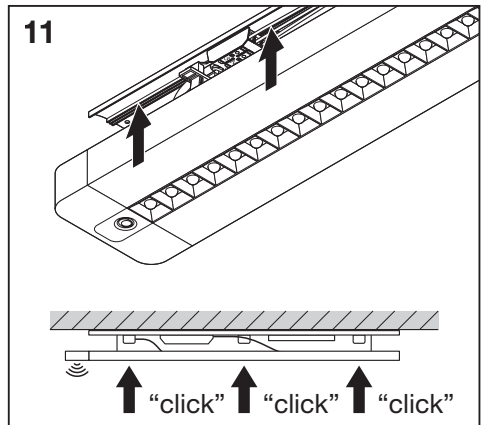
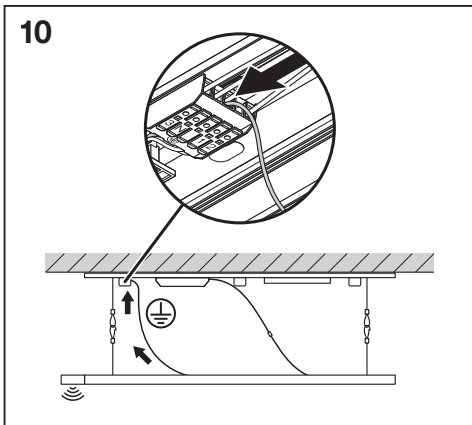
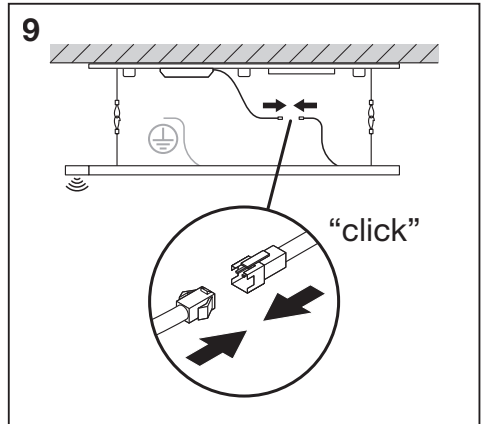
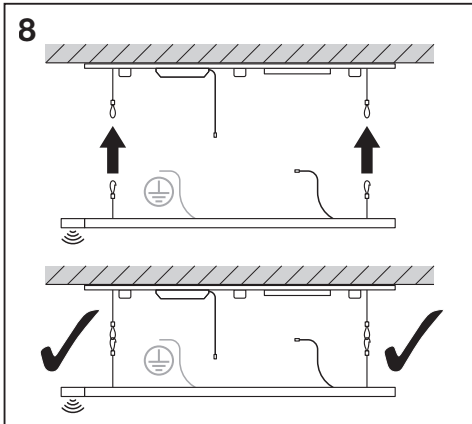
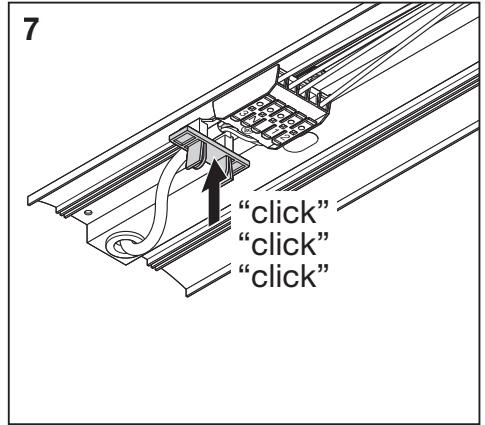
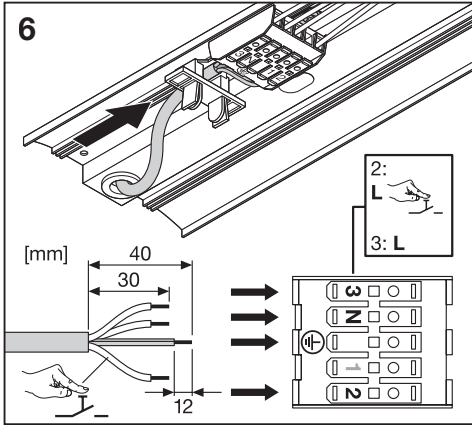


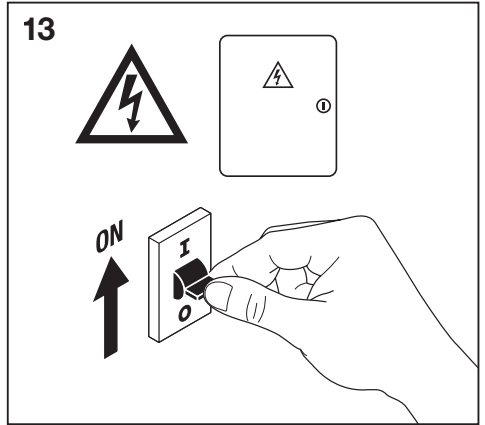
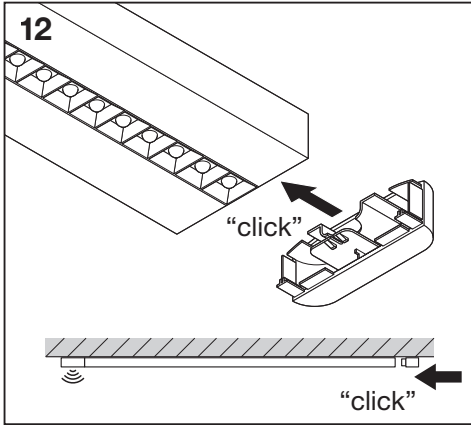
	EAN	l x w x h [mm]	W	lm	lm/W	K	IP	IK
LN INDV D DALI 1200 34W/3000K S	4058075109926	1229x 120x40	34	3800	110	3000	20	06
LN INDV D DALI 1200 34W/4000K S	4058075109940	1229 x 120x40	34	4200	120	4000	20	06
LN INDV D DALI 1500 25W/3000K S	4058075109964	1518x 120x40	25	3100	125	3000	20	06
LN INDV D DALI 1500 25W/4000K S	4058075109988	1518x 120x40	25	3300	125	4000	20	06
LN INDV D DALI 1500 48W/3000K S	4058075110007	1518x 120x40	48	5300	110	3000	20	06
LN INDV D DALI 1500 48W/4000K S	4058075110021	1518 x 120 x 40	48	5700	120	4000	20	06
LN INDV D/I DALI 1200 42W/3000K S	4058075110045	1229x 120x40	42 (= 34+8)	4650 (= 3800+850)	110	3000	20	06
LN INDV D/I DALI 1200 42W/4000K S	4058075110069	1229 x 120x40	42 (= 34+8)	5050 (= 4200+850)	120	4000	20	06
LN INDV D/I DALI 1500 56W/3000K S	4058075110083	1518 x 120x40	56 (= 48+8)	6150 (= 5300+850)	110	3000	20	06
LN INDV D/I DALI 1500 56W/4000K S	4058075110106	1518 x 120x40	56 (= 48+8)	6550 (= 5700+850)	115	4000	20	06

	EAN	ꜜ (°C)	VAC	Hz	∇	PF	R _a	⚖
LN INDV D DALI 1200 34W/3000K S	4058075109926	-20...+45	220-240V	50/60Hz	70°	> 0.9	> 80	2.6 kg
LN INDV D DALI 1200 34W/4000K S	4058075109940	-20...+45	220-240V	50/60Hz	70°	> 0.9	> 80	2.6 kg
LN INDV D DALI 1500 25W/3000K S	4058075109964	-20...+45	220-240V	50/60Hz	70°	> 0.9	> 80	3.1 kg
LN INDV D DALI 1500 25W/4000K S	4058075109988	-20...+45	220-240V	50/60Hz	70°	> 0.9	> 80	3.1 kg
LN INDV D DALI 1500 48W/3000K S	4058075110007	-20...+45	220-240V	50/60Hz	70°	> 0.9	> 80	3.3 kg
LN INDV D DALI 1500 48W/4000K S	4058075110021	-20...+45	220-240V	50/60Hz	70°	> 0.9	> 80	3.3 kg
LN INDV D/I DALI 1200 42W/3000K S	4058075110045	-20...+45	220-240V	50/60Hz	70° + 120°	> 0.9	> 80	3.0 kg
LN INDV D/I DALI 1200 42W/4000K S	4058075110069	-20...+45	220-240V	50/60Hz	70° + 120°	> 0.9	> 80	3.0 kg
LN INDV D/I DALI 1500 56W/3000K S	4058075110083	-20...+45	220-240V	50/60Hz	70° + 120°	> 0.9	> 80	3.6 kg
LN INDV D/I DALI 1500 56W/4000K S	4058075110106	-20...+45	220-240V	50/60Hz	70° + 120°	> 0.9	> 80	3.6 kg

LINEAR IndiviLED® DIRECT DALI







Tridonic basicDIM ILD 5DPI 14f
28001203

Tridonic basicDIM ILD Programmer
28000257

84°

$1.7m \leq h \leq 4m$

$d = 1.8 \times h$

Constant lux

$x1 = 0.8 \times h$

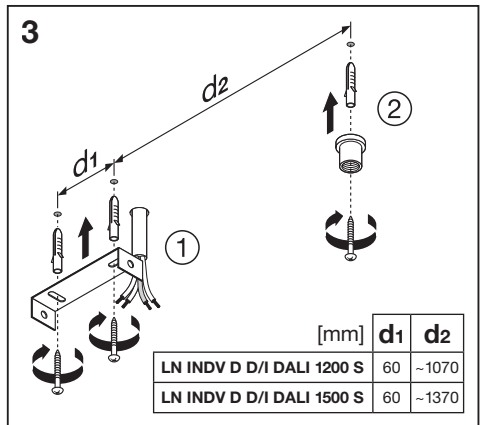
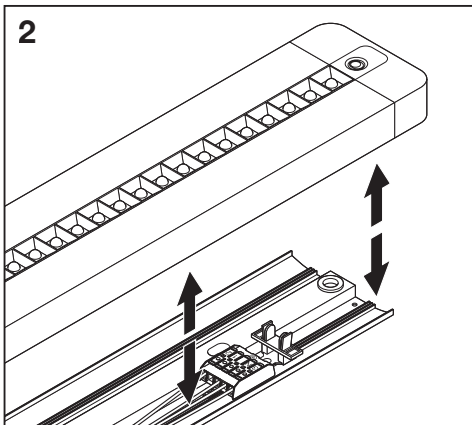
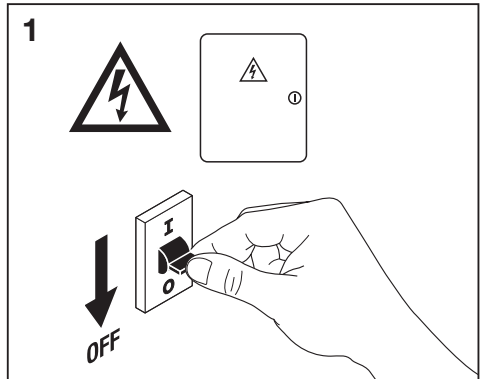
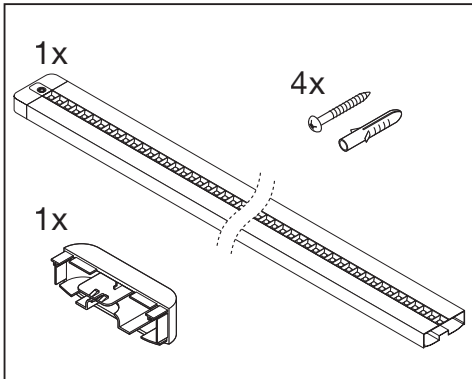
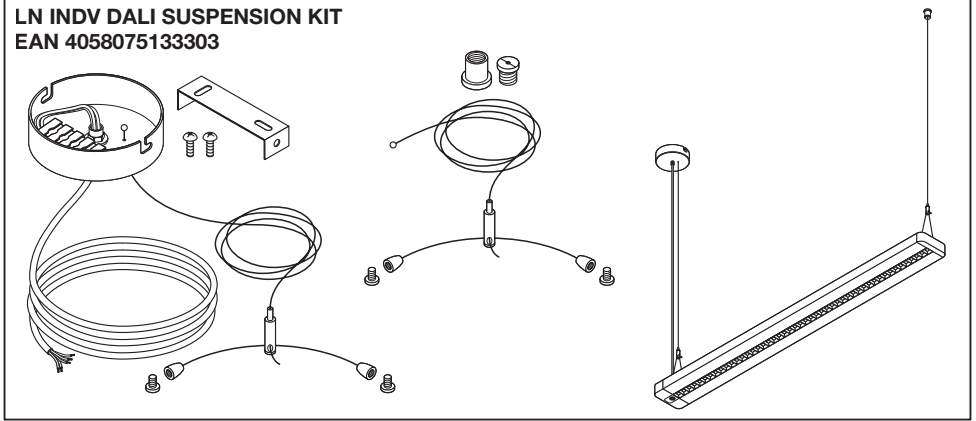
$x2 = 0.4 \times h$

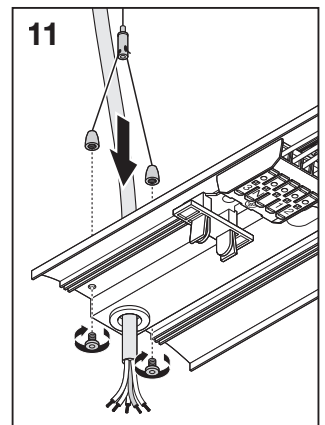
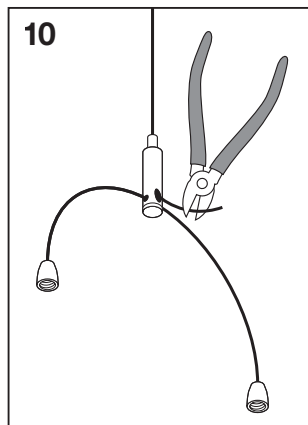
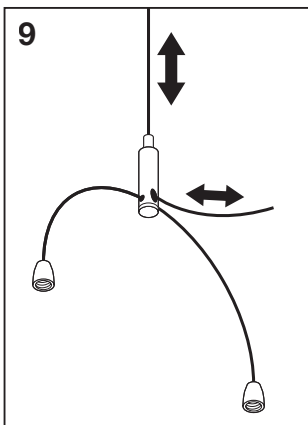
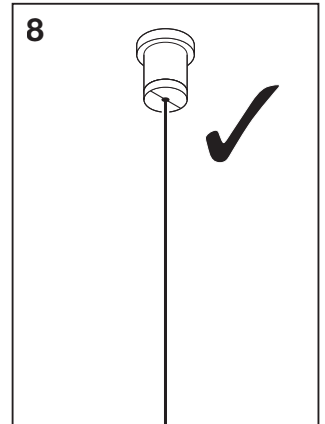
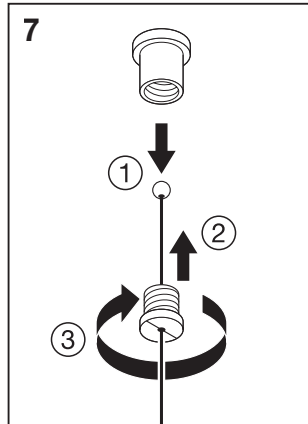
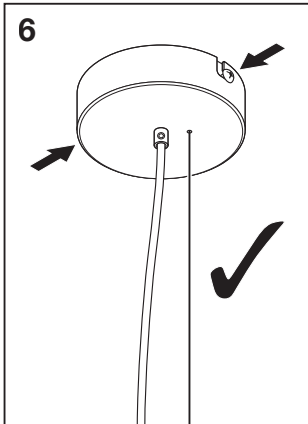
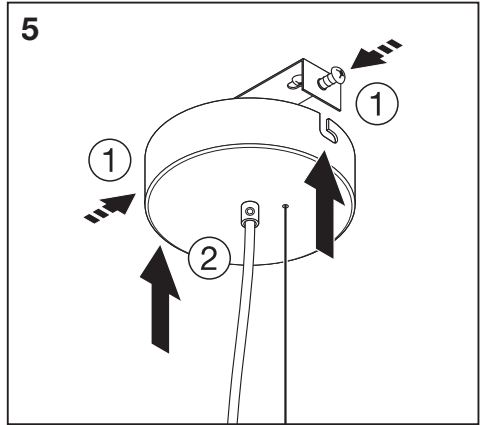
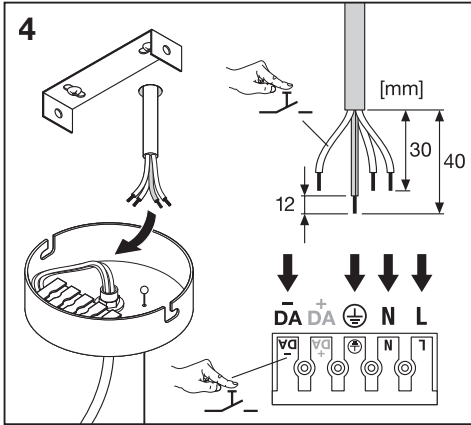
$y = 0.6 \times h$

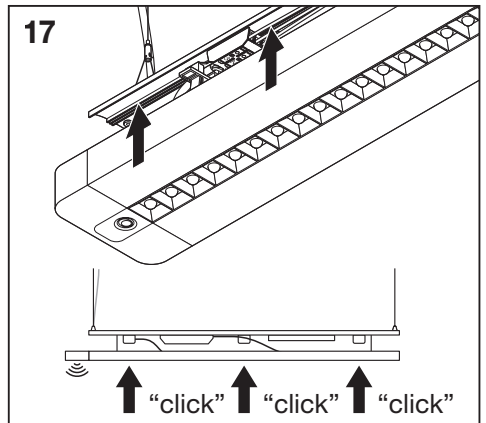
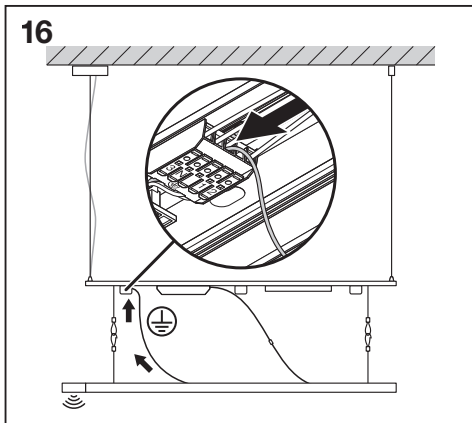
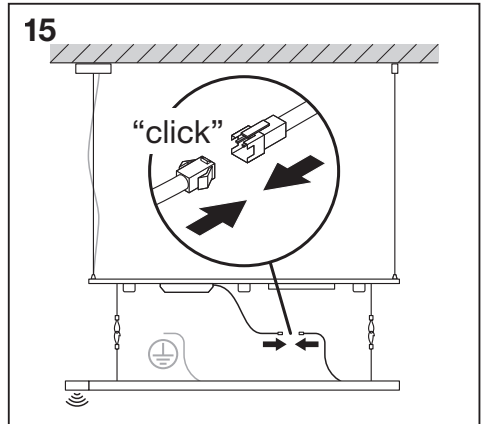
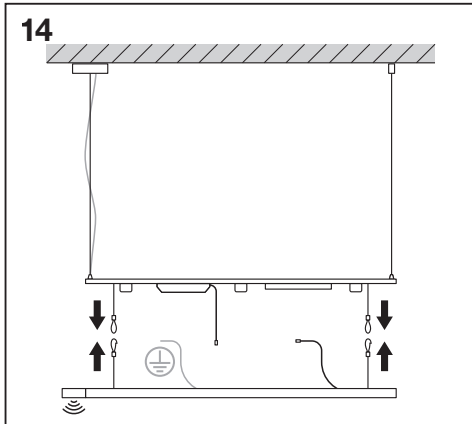
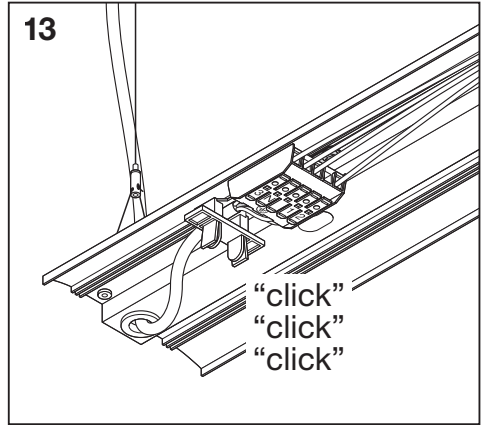
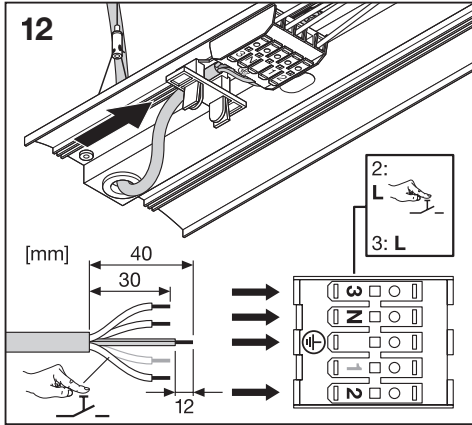
Constant lux

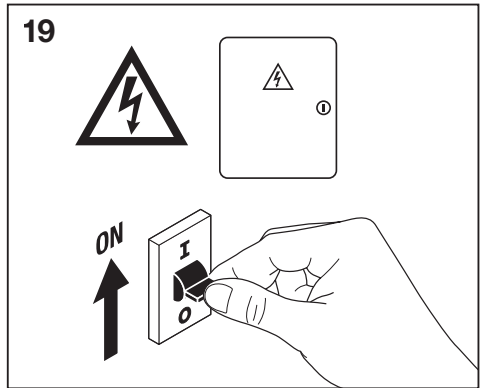
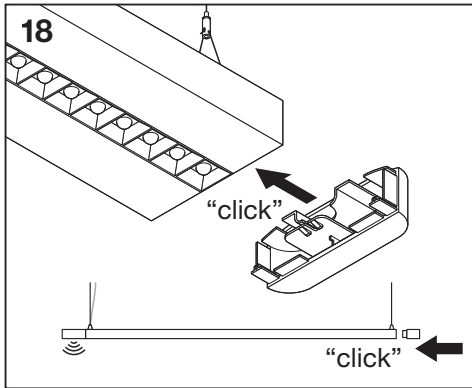
LINEAR IndiviLED® DIRECT | DIRECT / INDIRECT DALI

LN INDV DALI SUSPENSION KIT
EAN 4058075133303









Tridonic basicDIM ILD 5DPI 14f
28001203

Tridonic basicDIM ILD Programmer
28000257

84°

1.7m ≤ h ≤ 4m

d = 1.8 x h

Constant lux

1.7m ≤ h ≤ 4m

Constant lux

x1 = 0.8 x h
x2 = 0.4 x h
y = 0.6 x h

Constant lux



C10449058
G11041350
05.09.18



LEDVANCE GmbH
Steinerne Furt 62
86167 Augsburg, Germany
www.ledvance.com