

## Plunge milling cutter for non-ferrous metals and plastics

For milling cutter indexable inserts VCGT 2205..

**ATORN**<sup>®</sup>

### Application

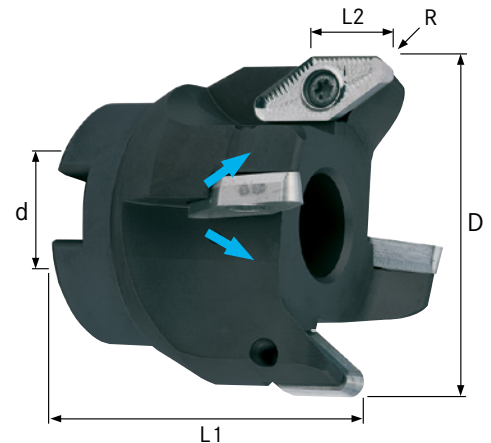
Ideal for processes such as excavation and plunge milling in aluminium and plastics with the highest usage values. The robust and precision-ground VPGT/VCGT reversible tip is ideal for plunge milling without a pilot bore thanks to its optimised shape and cutting geometry. Excellent chip removal thanks to polished cutting faces and large chip spaces; enables high cutting rates with minimal built-up edge formation.

### Version

- Robust support design for high-performance milling
- With internal cooling
- Clamping screw tightening torque (indexable insert)  $M5 = 8 \text{ Nm}$

### Advantage

- Low cutting forces
- Large corner radii for reduced wear
- Very high material removal rate
- Highest feed rates possible
- Also ideal for cutting plastics



<b>Art. No.</b>	<b>16032 042</b>
<b>Cutting edge diameter</b>	42 mm
<b>Length</b>	55 mm
<b>Bore diameter</b>	16 mm
<b>max. ap</b>	15 mm
<b>Number of cutting edges</b>	3 PCS

### EAN-Code

4050293061901